

B+W Filter
MRC – MRC nano

07/2015 / M.K.

B+W Filter

- High transmission
- Avoiding reflections
- No ghost pictures
- More brilliant colours
- Higher contrasts
- Protection
- Easy to clean

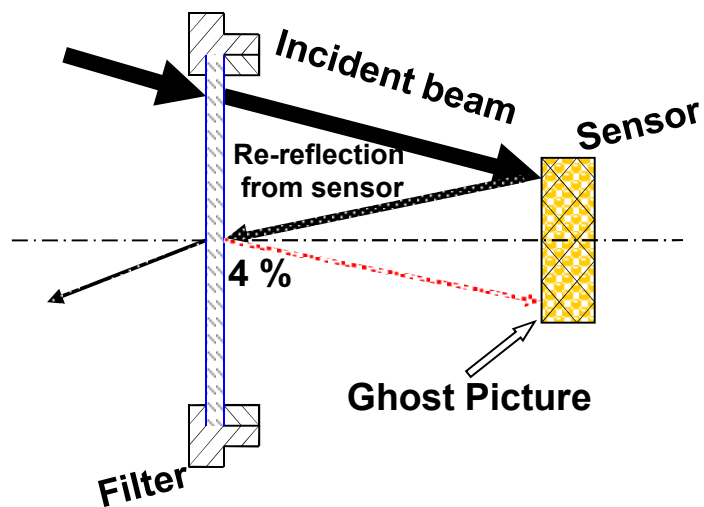


- 1- Filter Glass Holder Ring
- 2- Outer layer MRC oder MRC nano
- 3- MC Layer
- 4- Filter glass uncoated
- 5- Filter holder

Versions by B+W Filter

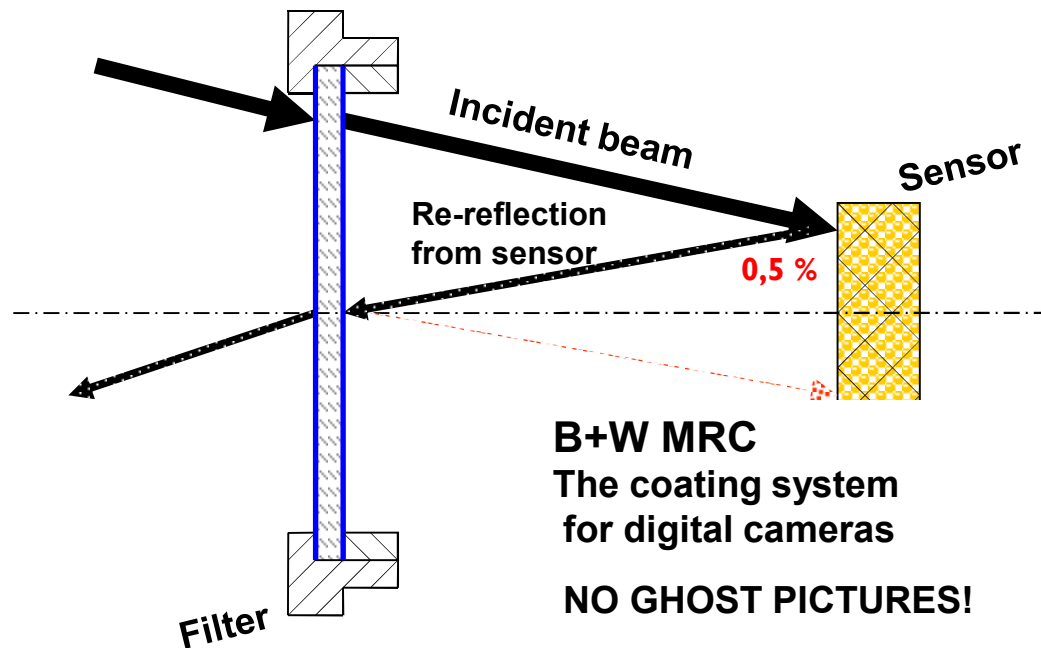
E	Single coating on both sides
MRC / MRC nano	Multi Resistant Coating on both sides

B+W Filter



Conventional Coating

Re-reflection B+W Coating

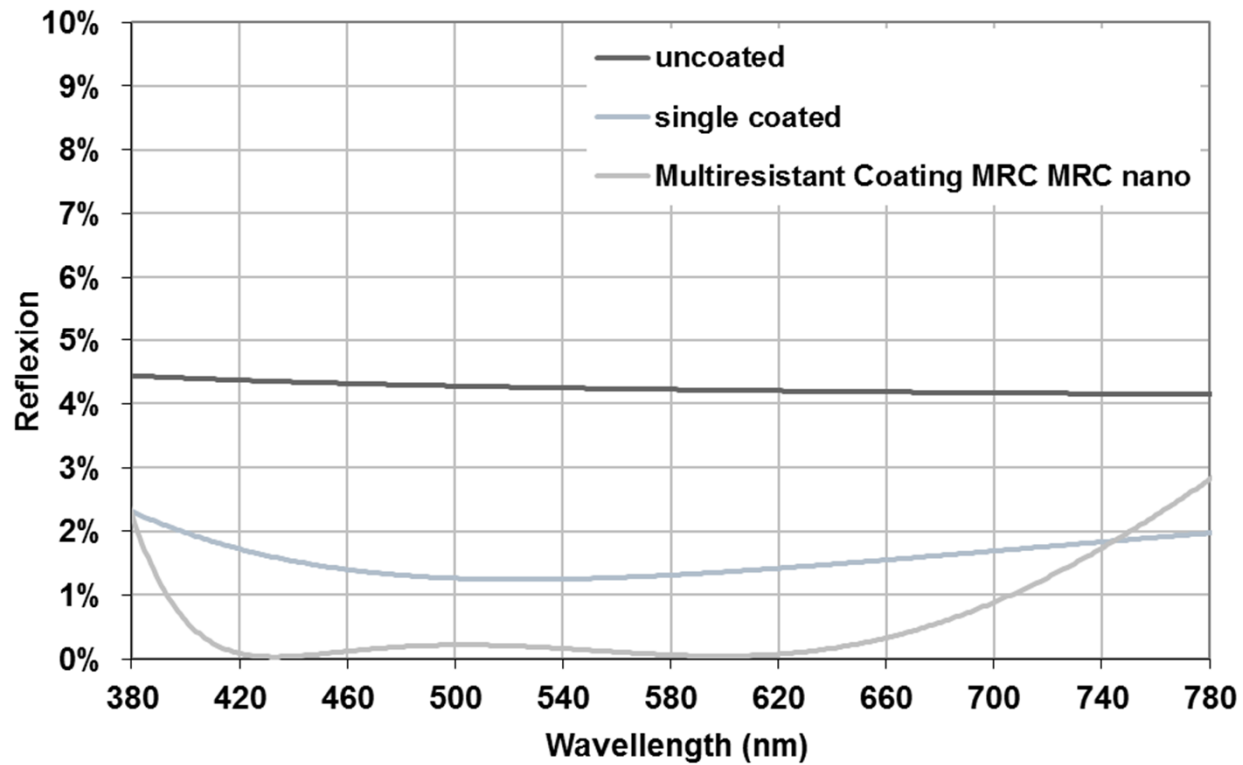


B+W MRC

B+W Filter

Transmission curve

Coating one B+W Filter Glass sureface



B+W Filter

Re-reflection B+W Coating

uncoated



Light incidence on an uncoated filter: about 4% is reflected

B+W E (single-coated)



From the surface of a B+W E coated filter, roughly 2% of the incident light is reflected

B+W MRC / MRC nano
Multi Resistant Coating

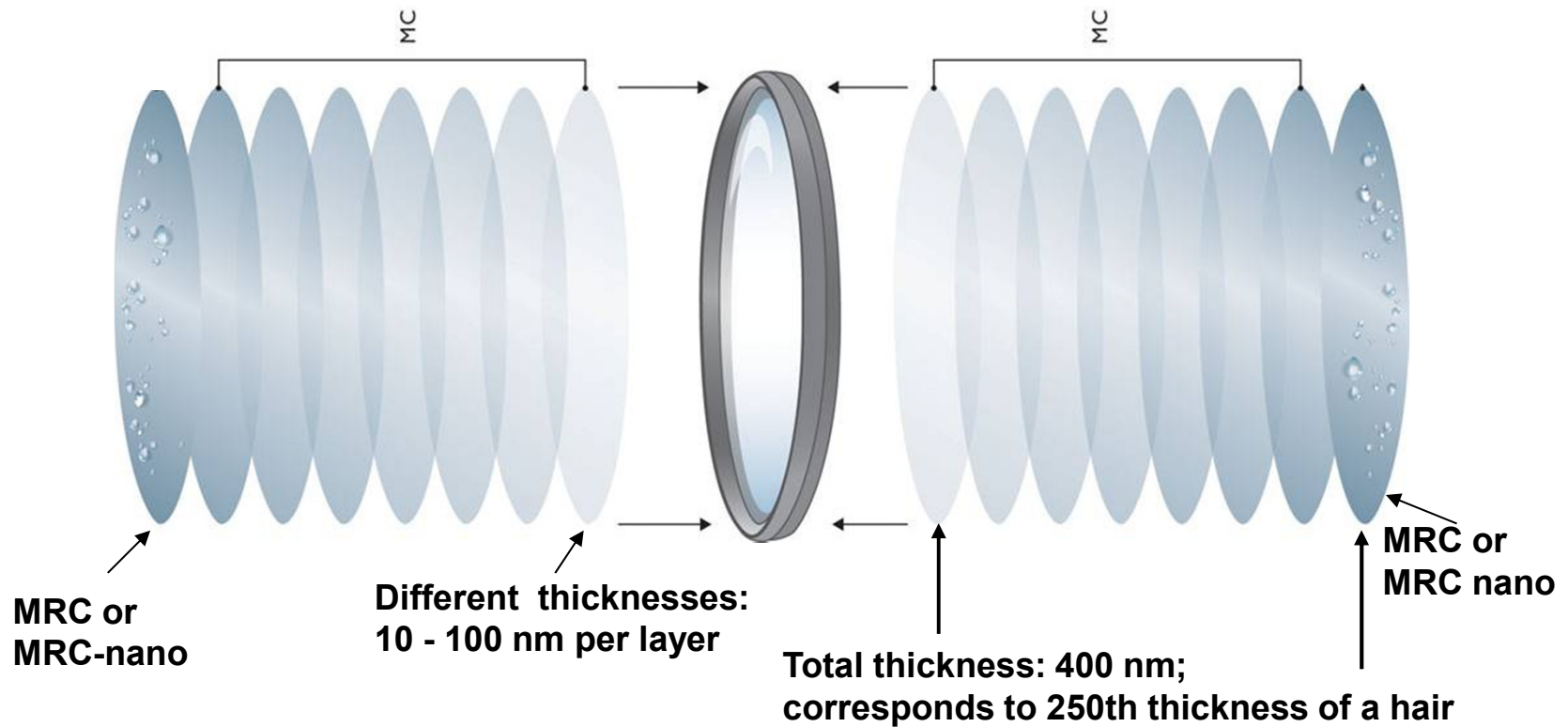


From the surface of a B+W MRC nano coated filter, roughly 0.5% of the incident light is reflected



B+W Filter

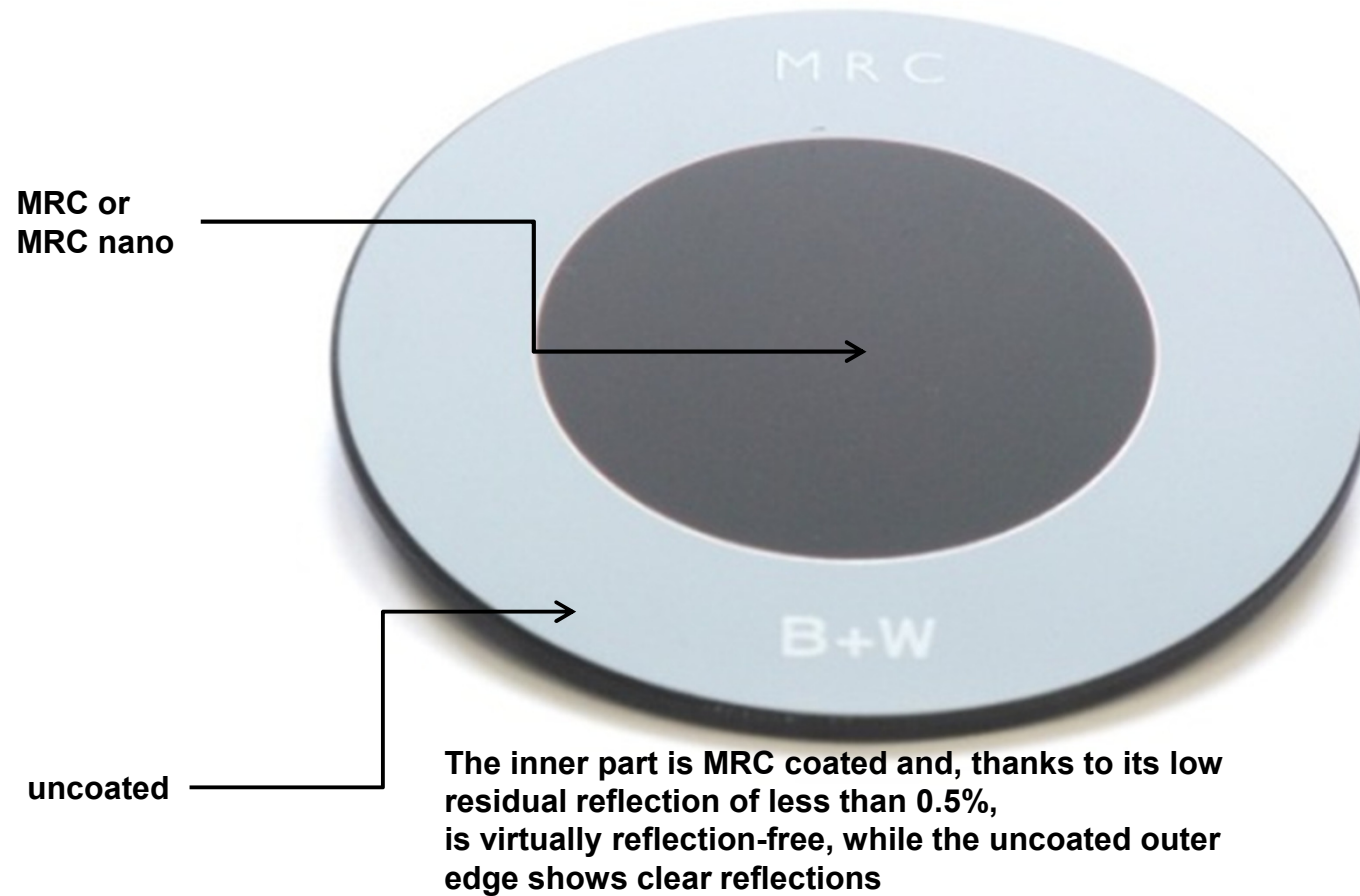
MRC / MRC nano Coating



Crystal quartz measuring of layers with an accuracy 0,5 nm = 2 millionth mm!

B+W Filter

Coating, Reflection



B+W Filter



1 Filter



2 Filters



4 Filters



8 Filters



12 Filters



16 Filters

B+W Filter



E

Effect on Surface with B+W Coating

On an uncoated filter or a filter with standard coating the water drop remains flat. There is no dirt- or water-repellent effect.



MRC

On a filter coated with hydrophobic material the water drop is noticeably flatter. It beads off the surface. There is a dirt- and water-repellent effect.



MRC nano

On a filter coated with super-hydrophobic material A water drop remains practically aspherical. It rolls off the surface. There is an outstanding dirt- and water-repellent effect.

B+W Filter

Coatings

	B+W E	B+W MRC	B+W MRC nano
	Single Coating	Multi Resistant Coating	Multi Resistant Coating nano
Number of Layers	2	16	16
	1 Layer per side	7 + 1 Layers per side	7 + 1 Layers per side
Reflexion	~ 4%	< 0,5 %	< 0,5 %
Transmission	~ 96%	> 99,5%	> 99,5%
Scratch resistant	±	+++	+++
Water repellent	-	+++	++++
Dirt repellent	-	+++	++++
Acclimation	±	+++	++++
Easy to clean	±	+++	++++
Made in Germany	+	+	+
Internal Code	E	M	MRC2

B+W Filter

THANK YOU

