

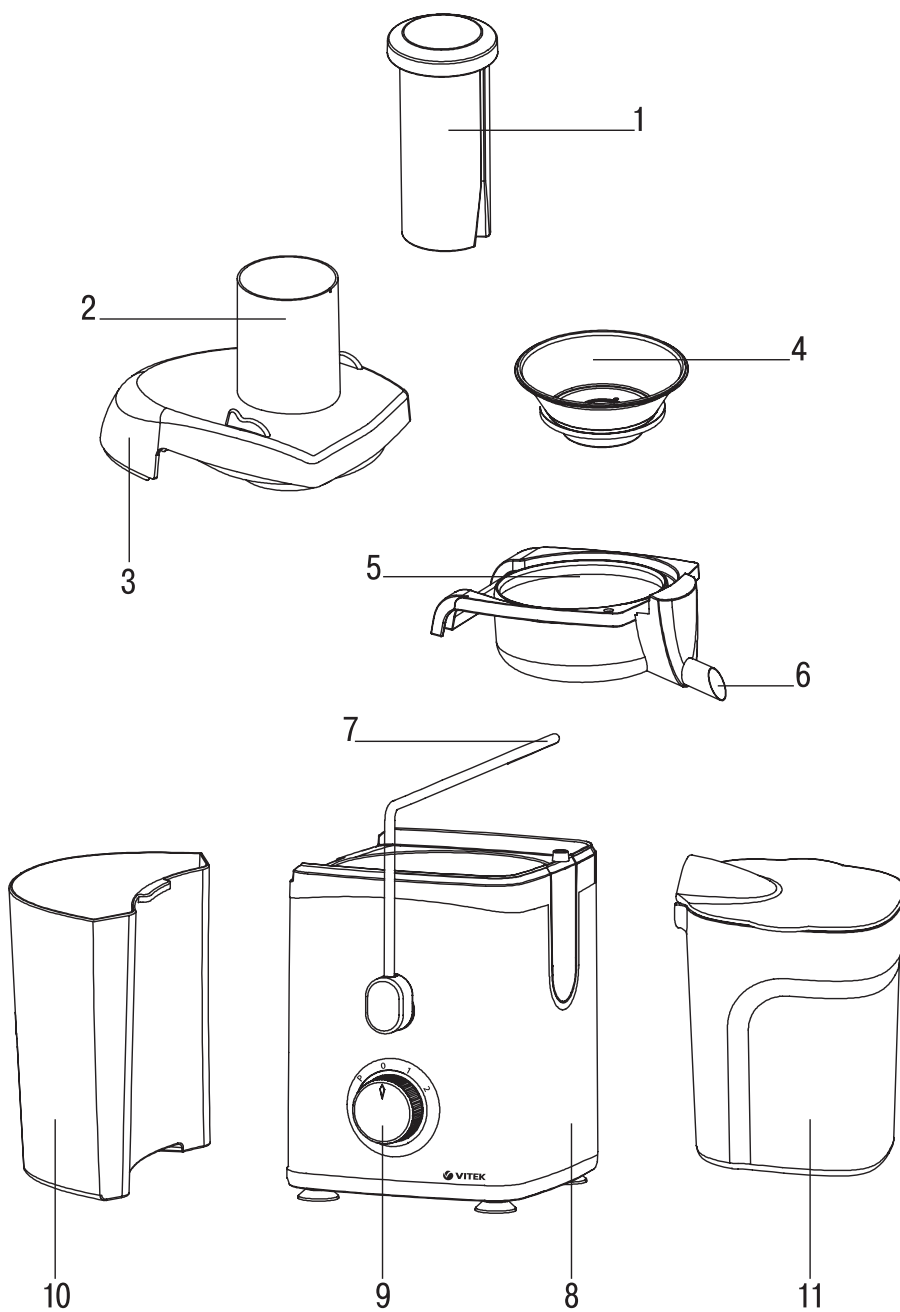
VT-3653

Juice extractor

Соковыжималка

Инструкция по эксплуатации

GB Manual instruction	3
RUS Инструкция по эксплуатации	7
KZ Пайдалану нұсқасы	12
UA Інструкція з експлуатації	17
KG Пайдалануу боюнча нускама	22
RO Instrucțiune de exploatare	27



JUICE EXTRACTOR VT- 3653

Electric juice extractor is intended for making fruit or vegetable juice.

DESCRIPTION

1. Pusher
2. Feeding chute
3. Lid
4. Grating filter
5. Juice collector
6. Juice draining spout
7. Lock
8. Motor unit
9. Operation mode switch (P-0-1-2)
10. Pulp container
11. Juice cup

SAFETY MEASURES

Before using the unit, read this instruction manual carefully and keep it for future reference.

Use the unit for intended purposes only, as specified in this manual. Mishandling the unit can lead to its breakage and cause harm to the user or damage to his/her property.

- **To avoid injuries do not remove the juice extractor lid during operation and when the unit is plugged in as well.**
- **The maximal allowable continuous operation time is not more than 3 minute with subsequent break of at least 2 minutes.**
- Before using the unit for the first time, make sure that the voltage in your mains corresponds to unit operating voltage.
- Place the juice extractor on a dry, flat and steady surface only.
- Before using the unit for the first time, wash all removable parts that will contact processed foods thoroughly.
- Be cautious when holding the grating filter in your hands, as the disc grating surface is very sharp.
- Check the grating filter before every use of the juice extractor. If you find any mechanical damage, stop using the unit and immediately replace the grating filter.
- Use the supplied removable parts only.
- Do not use the unit outdoors.
- Do not place the unit and the power cord near hot surfaces, heat sources or sharp edges of furniture.
- Before using the unit, make sure that all parts are set properly.

- You can use the juice extractor only if the juice extractor lid is fixed with the lock.
- Never push products into the feeding chute with your fingers or other objects during operation. For this purpose use the pusher only.
- Do not bring your face close to the open feeding chute while the unit is operating, fruit/vegetable pieces can be flung out of the feeding chute and cause harm to the user.
- Never use the juice extractor without installed pulp container.
- The unit is not intended for chopping or mixing of products.
- Do not disassemble the slow juicer if its power plug is connected to the mains socket.
- Do not touch the power plug with wet hands.
- Open the lock only after the unit is switched off and the grating filter has stopped rotating.
- If some moisture or juice drops appear on the juice extractor housing, switch it off, unplug it and wipe the housing with dry cloth.
- After operation switch the unit off and pull the power plug out of the mains socket.
- Do not allow children to touch the unit and the power cord during operation.
- Do not allow children to use the unit as a toy.
- This unit is not intended for usage by children.
- During operation and breaks between operation cycles, the unit should be placed out of reach of children.
- The unit is not intended for usage by physically or mentally disabled persons (including children) or by persons lacking experience or knowledge if they are not under supervision of a person who is responsible for their safety or if they are not instructed by this person on the usage of the unit.
- For children safety reasons do not leave polyethylene bags used as a packaging unattended.

Attention! Do not allow children to play with polyethylene bags or packaging film. **Danger of suffocation!**

- Check the power cord and plug periodically.
- Never use the juice extractor if the grating filter, power cord or the power plug is damaged, if the unit works improperly or after it was dropped.
- Do not attempt to repair the unit. Do not disassemble the unit by yourself, if any malfunction is detected or after it was dropped, unplug the unit and apply to any authorized service center from the contact address list given in the warranty certificate and on the website www.vitek.ru.

ENGLISH

- Transport the unit in the original package only.
- Keep the unit out of reach of children and disabled persons.

THE UNIT IS INTENDED FOR HOUSEHOLD USE ONLY, ITS COMMERCIAL USAGE AND USAGE IN PRODUCTION AREAS AND WORK SPACES IS PROHIBITED.

BEFORE THE FIRST USE

After unit transportation or storage at low temperature keep it for at least 3 hours at room temperature before switching on.

- Unpack the juice extractor.

Disassemble and clean the juice extractor before usage:

- Remove the pusher (1) from the lid (3) feeding chute (2).
- Lower the lock (7) and remove the lid (3).
- For easy removal of the grating filter (4) remove the grating filter with the juice collector (5) holding the juice collector (5) and pulling it upwards.
- Wash thoroughly and dry all the removable parts (1, 3, 4, 5, 11) that will contact products.

Note: *Be cautious when holding the grating filter (4) in your hands, as the disc grating surface is very sharp.*

MAKING JUICE

Before the first plugging in make sure that the operating voltage of the unit corresponds to the voltage of your mains.

Fruit and vegetables meant for processing must be fresh.

Before juice extracting wash fruit/vegetables, remove inedible parts from vegetables or fruit, such as stems, hard peel or stones, for example, of cherry or peach, cut them into pieces easily fitting into the feeding chute (2).

- Place the motor unit (8) on a dry, flat and steady surface.
- Before unit assembling make sure that the operation mode switch is set to the position «0», and the plug is not inserted into the mains socket.
- Set the juice collector (5) on the motor unit (8).
- Install the grating filter (4) into the juice collector (5).

ATTENTION!

Do not use the juice extractor if you find mechanical damages of the grating filter (4).

- Set the pulp container (10) behind the juice extractor.
- Install the lid (3) on the juice collector (5) and fix it with the lock (7).
- If the juice draining spout (6) is installed horizontally, press it downwards.
- Set the juice cup (11) under the juice draining spout (6).
- Insert the power plug into the mains socket.
- Switch the juice extractor on by setting the switch (9) to the position «1» (low speed), position «2» (high speed) or position «P» (pulse mode).

Notes:

Low speed «1» is intended for extracting juice from soft vegetables/fruits, such as tomatoes, ripe pears, strawberries, oranges, plums, grapes, pumpkins, onions, cucumbers etc.

High speed «2» is intended for extracting juice from hard vegetables/fruits, such as artichoke, carrot, apples, capsicum, beet, potatoes, pine-apples, vegetable marrows, celery, spinach, dill, leek etc.

«P» is pulse mode, switching the juice extractor on for a short time.

ATTENTION!

To avoid the grating filter (4) stopping and motor rotor jamming during the processing of viscous or quite hard food it is recommended to use the high speed operation mode «2» of the juice extractor.

- The unit will be switched on only if all the removable parts are installed properly, and the lid (3) is fixed with the lock (7).
- Feed fruit/vegetable pieces into the lid (3) feeding chute (2) only when the grating filter (4) is rotating.
- Gradually put vegetables or fruits cut beforehand into the lid (3) feeding chute (2) and push them gently with the pusher (1). Do not press on the pusher (1) too hard as it can lead to decrease of juice amount as well as stop the grating filter (4) rotation. The slower is the fruit and vegetables processing, the higher is the juice extraction rate.
- Do not put your fingers or any other foreign objects into the lid (3) feeding chute (2).
- During operation, check the grating filter (4) periodically for obstruction of the mesh with pulp, if necessary wash the grating filter (4); before removing the grating filter, switch the juice extractor off and unplug it.

- Control the pulp container (10) filling, if the container (10) is filled up, switch the juice extractor off, unplug it and remove the pulp from the container.

Note: - during the breaks between operations or after filling the juice cup (11) lift the juice draining spout (6), at the horizontal position of the spout (6) the juice will not drip on the table.

ATTENTION!

The maximal allowable continuous operation time is not more than 3 minute with subsequent break of at least 2 minutes.

After processing of 500 g hard and fibrous fruits and vegetables (citrus plants, pineapples, apples, carrots etc.) disassemble and clean the unit. Non-compliance with the requirement can cause the grating mesh blockage and will complicate the unit cleaning.

- After unit operation, switch it off by setting the switch (9) to the position «0», and unplug it.

CLEANING AND CARE

After the end of operation or before cleaning always switch the unit off and unplug it.

Disassemble and clean the juice extractor after every usage and follow the recommendations below.

- Remove the pusher (1) from the lid (3) feeding chute (2).
- Lower the lock (7) and remove the lid (3).
- For easy removal of the grating filter (4) remove the grating filter with the juice collector (5) holding the juice collector (5) and pulling it upwards.
- It is recommended to wash all removable parts in warm water with a neutral detergent right after the unit operation.
- It is more convenient to wash the grating filter (4) openings from the outside using an appropriate brush.
- Be cautious when washing the grating filter (4), the disc grating surface is very sharp.
- Do not wash the grating filter (4) and other removable parts in a dishwasher.
- Clean the motor unit (8) with a slightly damp cloth and then wipe it dry. Do not immerse the motor unit (8) into water or any other liquids; do not wash the motor unit (8) under water jet.
- Do not use coarse sponges, abrasives and solvents to clean the unit.

- Some products, such as carrots or beets, can dye the juice extractor's removable parts, you can use a dry cloth dampened in vegetable oil for removing stains; after cleaning of parts wash them with warm water and a neutral detergent, then dry.

TIPS

- Use only fresh fruits and vegetables, as they contain more juice.
- For juice extracting you can use different vegetables (carrots, cucumbers, beets, celery stems, spinach, tomatoes) or fruits (apples, grapes, pineapples).
- It is recommended to wash berries right before juice extracting, as they lose freshness quickly.
- It is not necessary to remove thin peel from fruits or vegetables, remove thick peel only, for example from pineapples or beet.
- When making juice from apples it is not necessary to remove apple cores.
- When extracting apple juice remember that its richness depends on the apple sort.
- Choose the apple sort from which you can make juice to your taste.
- Drink juice right after you made it. The juice loses its taste and nutrition value during long storage in open air.
- Apple juice gets dark quickly, but if you add some drops of lemon juice to it, this suspends the process of juice darkening.
- If you keep juice in the refrigerator, pour it into a clean bowl with a lid to prevent it from absorbing the smell of other foods stored in the refrigerator. It is not recommended to keep juice in a metal container, as the juice can acquire corresponding flavor.
- The juice extractor is not intended for processing fruits with high content of starch or pectin, such as bananas, papaya, avocado, figs, apricots, mango, red and black currants. Use other kitchen appliances to process these kinds of fruit.
- The juice extractor is not intended for processing extra hard and fibrous products, such as coconuts, rhubarb or quince.

STORAGE

- Perform the requirements of the CLEANING AND CARE section before taking the unit away for storage.
- Keep the unit in a dry cool place out of reach of children and disabled persons.

ENGLISH

Troubleshooting

Problem	Troubleshooting
When using the juice extractor for the first time, unpleasant smell can appear.	It is normal because some time is necessary for carbon brush lapping in motor unit.
Juice extractor does not work	<ol style="list-style-type: none"> 1. Make sure it is assembled properly, and the lock is in the locked position. 2. Connect any suitable unit to the socket in order to check whether voltage is available in the socket.
Juice amount has decreased rapidly	<ol style="list-style-type: none"> 1. The mesh filter became cluttered <ul style="list-style-type: none"> - switch the juice extractor off, remove the power plug from the socket. - when electric motor stops, check the grating filter - clean and wash the grating filter.
Juice extractor vibrates strongly during operation.	<ol style="list-style-type: none"> 1. Pulp adhesion on one side of grating filter is possible. <ul style="list-style-type: none"> - switch juice extractor off, remove the power plug from the socket; - when electric motor stops, check the grating filter; - clean and wash the grating filter. 2. Grating filter damage <ul style="list-style-type: none"> - examine the grating filter, in case of damage or cracks replace the grating filter.
Juice extractor operation is accompanied by intense noise and unpleasant smell, the unit heats up strongly, smoke appears etc.	Stop using the unit immediately, disconnect it from the mains and apply to the authorized service center for testing and repairing it.

DELIVERY SET

Motor unit – 1 pc.
 Pusher – 1 pc.
 Lid – 1 pc.
 Grating filter – 1 pc.
 Juice collector – 1 pc.
 Pulp container – 1 pc.
 Juice cup – 1 pc.
 Instruction manual – 1 pc.

TECHNICAL SPECIFICATIONS

Nominal voltage: 220-240 V ~ 50 Hz
 Maximal power: 1000 W
 Rated input power: 500 W

RECYCLING



For environment protection do not throw out the unit and the batteries with usual household waste after its service life expiration; apply to the specialized center for further recycling.

The waste generated during the disposal of the unit is subject to mandatory collection and consequent disposal in the prescribed manner. For further information about recycling of this product apply to a local municipal administration, a disposal service or to the shop where you purchased this product.

The manufacturer preserves the right to change design, structure and specifications not affecting general principles of the unit operation without a preliminary notification due to which insignificant differences between the manual and product may be observed. If the user reveals such differences, please report them via e-mail info@vitek.ru for receipt of an updated manual.

Unit operating life is 3 years

Guarantee

Details regarding guarantee conditions can be obtained from the dealer from whom the appliance was purchased. The bill of sale or receipt must be produced when making any claim under the terms of this guarantee.

СОКОВЫЖИМАЛКА VT-3653

Электрическая соковыжималка предназначена для приготовления соков из фруктов или овощей.

ОПИСАНИЕ

1. Толкатель
2. Загрузочная горловина
3. Крышка
4. Фильтр-тёрка
5. Сокоособорник
6. Носик для слива сока
7. Фиксатор
8. Моторный блок
9. Переключатель режимов работы (P-0-1-2)
10. Контейнер для сбора отжимок
11. Ёмкость для сбора сока

МЕРЫ БЕЗОПАСНОСТИ

Перед началом эксплуатации устройства внимательно прочитайте настоящую инструкцию по эксплуатации и сохраните её для использования в качестве справочного материала.

Используйте устройство только по его прямому назначению, как изложено в данной инструкции. Неправильное обращение с устройством может привести к его поломке, причинению вреда пользователю или его имуществу.

- **Во избежание травм не снимайте крышку соковыжималки во время работы, а также в том случае, если вилка сетевого шнура вставлена в электрическую розетку.**
- **Максимально допустимое время непрерывной работы соковыжималки составляет не более 3 минут с последующим перерывом не менее 2 минут.**
- Перед первым включением убедитесь, что напряжение в электрической сети соответствует рабочему напряжению устройства.
- Используйте соковыжималку только на сухой, ровной и устойчивой поверхности.
- Перед первым использованием соковыжималки тщательно промойте все съёмные детали, которые будут контактировать с перерабатываемыми продуктами.
- Соблюдайте осторожность, когда держите в руках фильтр-тёрку, поверхность дисковой тёрки очень острая.
- Проверяйте состояние фильтра-тёрки перед каждым использованием соковыжималки. Если вы обнаружите какие-либо механические повреждения, прекратите использование устройства и немедленно замените фильтр-тёрку.

- Используйте только те съёмные детали, которые входят в комплект поставки.
- Запрещается использовать устройство вне помещений.
- Не размещайте устройство и сетевой шнур вблизи горячих поверхностей, источников тепла и острых кромок мебели.
- Прежде чем начать пользоваться устройством, убедитесь, что все детали установлены правильно.
- Пользоваться соковыжималкой можно только в том случае, если крышка соковыжималки закреплена с помощью фиксатора.
- Во время работы запрещается проталкивать продукты в загрузочную горловину пальцами или другими предметами. Для этой цели пользуйтесь только толкателем.
- Не наклоняйте лицо над открытой горловиной при включённом устройстве, кусочки овощей/фруктов могут вылететь из горловины и нанести травму пользователю.
- Запрещается пользоваться соковыжималкой без контейнера для сбора отжимок.
- Соковыжималка не предназначена для измельчения или смешивания продуктов.
- Запрещается разбирать соковыжималку, если вилка сетевого шнура вставлена в электрическую розетку.
- Не прикасайтесь к вилке сетевого шнура мокрыми руками.
- Открывайте фиксатор только после выключения устройства и полной остановки вращения фильтра-тёрки.
- При появлении капель влаги или сока на корпусе соковыжималки выключите устройство, отключите от электросети и протрите корпус сухой тканью.
- После окончания работы выключите устройство и извлеките вилку сетевого шнура из электрической розетки.
- Не разрешайте детям прикасаться к устройству и к сетевому шнуру во время работы.
- Не разрешайте детям использовать устройство в качестве игрушки.
- Данное устройство не предназначено для использования детьми.
- Во время работы и в перерывах между рабочими циклами устанавливайте устройство в местах, недоступных для детей.
- Данное устройство не предназначено для использования лицами (включая детей) с пониженными физическими, психическими или умственными способностями или при

РУССКИЙ

- отсутствии у них опыта или знаний, если они не находятся под контролем или не проинструктированы об использовании прибора лицом, ответственным за их безопасность.
- Из соображений безопасности детей не оставляйте полиэтиленовые пакеты, используемые в качестве упаковки, без надзора.

Внимание! Не разрешайте детям играть с полиэтиленовыми пакетами или упаковочной плёнкой. **Опасность удушья!**

- Периодически проверяйте состояние сетевого шнура и вилки сетевого шнура.
- Не используйте соковыжималку, если имеются повреждения фильтра – тёрки, сетевого шнура или вилки сетевого шнура, если устройство работает с перебоями, а также после падения устройства.
- Запрещается самостоятельно ремонтировать прибор. Не разбирайте прибор самостоятельно, при возникновении любых неисправностей, а также после падения устройства выключите прибор из электрической розетки и обратитесь в любой авторизованный (уполномоченный) сервисный центр по контактным адресам, указанным в гарантийном талоне и на сайте www.vitek.ru.
- Перевозите устройство только в заводской упаковке.
- Храните устройство в местах, недоступных для детей и людей с ограниченными возможностями.

УСТРОЙСТВО ПРЕДНАЗНАЧЕНО ТОЛЬКО ДЛЯ БЫТОВОГО ИСПОЛЬЗОВАНИЯ В ЖИЛЫХ ПОМЕЩЕНИЯХ, ЗАПРЕЩАЕТСЯ КОММЕРЧЕСКОЕ ИСПОЛЬЗОВАНИЕ И ИСПОЛЬЗОВАНИЕ УСТРОЙСТВА В ПРОИЗВОДСТВЕННЫХ ЗОНАХ И РАБОЧИХ ПОМЕЩЕНИЯХ.

ПЕРЕД ПЕРВЫМ ИСПОЛЬЗОВАНИЕМ

После транспортировки или хранения устройства при пониженной температуре необходимо выдержать его при комнатной температуре не менее 3 часов.

- Извлеките соковыжималку из упаковки.

Производите разборку и чистку соковыжималки перед ее использованием:

- Извлеките толкатель (1) из загрузочной горловины (2) крышки (3).
- Опустите фиксатор (7) и снимите крышку (3).

- Для облегчения снятия фильтра-тёрки (4) снимайте фильтр-тёрку (4) вместе с сокосборником (5), держась за сокосборник (5) и подняв его по направлению вверх.
- Тщательно промойте все съёмные детали (1, 3, 4, 5, 11), которые будут контактировать с продуктами, и просушите их.

Примечание: Соблюдайте осторожность, когда держите в руках фильтр-тёрку (4), поверхность дисковой тёрки очень острая.

ПРИГОТОВЛЕНИЕ СОКА

Перед первым включением убедитесь, что рабочее напряжение устройства соответствует напряжению электросети.

Фрукты и овощи, предназначенные для переработки, должны быть свежими.

Перед отжимом сока вымойте овощи/фрукты, удалите несъедобные части у овощей или фруктов, такие как плодоножки, твёрдая кожура или косточки, например, вишнёвые или персиковые, порежьте их на кусочки, которые бы легко проходили в загрузочную горловину (2).

- Установите моторный блок (8) на ровную сухую и устойчивую поверхность.
- Перед сборкой соковыжималки убедитесь, что переключатель режимов работы установлен в положение «0», а вилка сетевого шнура не вставлена в электрическую розетку.
- Установите сокосборник (5) на моторный блок (8).
- Установите фильтр-тёрку (4) в сокосборник (5).

ВНИМАНИЕ!

Использование соковыжималки запрещается при обнаружении механических повреждений на фильтре-тёрке (4).

- С задней стороны соковыжималки установите контейнер для сбора отжимок (10).
- Установите крышку (3) на сокосборник (5) и зафиксируйте её с помощью фиксатора (7).
- Если носик для слива сока (6) установлен горизонтально, то нажмите на него по направлению сверху вниз.
- Установите под носик для слива сока (6) ёмкость для сбора сока (11).
- Вставьте вилку сетевого шнура в электрическую розетку.
- Включите соковыжималку, установив переключатель (9) в положение «1» (низкая скорость), положение «2» (высокая скорость) или положение «P» (импульсный режим работы).

Примечания:

Низкая скорость «1» служит для отжима сока из мягких овощей/фруктов - таких как томаты, спелые груши, клубника, апельсины, сливы, виноград, тыква, лук, огурцы и т.п.

Высокая скорость «2» служит для отжима сока из твёрдых овощей/фруктов, таких как артишоки, морковь, яблоки, перец, свёкла, картофель, ананасы, кабачки, сельдерей, шпинат, укроп, лук-порей и т.п.

Импульсный режим работы «Р» служит для кратковременного включения соковыжималки.

ВНИМАНИЕ!

При работе с вязкими или достаточно твёрдыми продуктами во избежание остановки вращения фильтра-тёрки (4) рекомендуется использовать режим работы соковыжималки на высокой скорости «2».

- Соковыжималка включится только в том случае, если все съёмные части установлены правильно, а крышка (3) закреплена фиксатором (7).
- Загружайте продукты в загрузочную горловину (2) крышки (3) только во время вращения фильтра-тёрки (4).
- Постепенно опускайте предварительно порезанные овощи или фрукты в загрузочную горловину (2) крышки (3) и слегка надавливайте на них толкателем (1). Не нажимайте слишком сильно на толкатель (1), поскольку это может привести к снижению количества получаемого сока и даже к остановке вращения фильтра-тёрки (4). Чем медленнее происходит обработка овощей или фруктов, тем больше выход сока.
- Запрещается опускать пальцы или любые другие предметы в загрузочную горловину (2) крышки (3).
- Во время работы периодически проверяйте состояние фильтра-тёрки (4) на предмет засорения сетки мякотью, при необходимости промывайте фильтр-тёрку (4), перед снятием фильтра-тёрки выключите соковыжималку и извлеките вилку сетевого шнура из электрической розетки.
- Следите за наполнением контейнера для сбора отжимок (10), если контейнер (10) заполнился, выключите соковыжималку, извлеките вилку сетевого шнура из электрической розетки и удалите отжимки.

Примечание: - в перерывах во время работы или после наполнения ёмкости для сбора сока (11), приподнимите носик для слива сока (6), в

горизонтальном положении носика (6), капли сока не будут капать на стол.

ВНИМАНИЕ!

Максимально допустимое время непрерывной работы соковыжималки – не более 3 минут с последующим перерывом не менее 2 минут.

После переработки 500 гр. твёрдых и волокнистых продуктов (цитрусовых, ананасов, яблок, моркови и т.д.) производится разборку и чистку устройства. Несоблюдение данного требования может привести к заклиниванию сетки-терки и усложнит чистку устройства.

- После использования соковыжималки выключите её, установив переключатель (9) в положение «0», и извлеките вилку сетевого шнура из электрической розетки.

ЧИСТКА И УХОД

После окончания работы или перед чисткой обязательно выключайте устройство и отключайте его от электросети.

Производите разборку и чистку соковыжималки после каждого её использования, выполняя нижеперечисленные рекомендации.

- Извлеките толкатель (1) из загрузочной горловины (2) крышки (3).
- Опустите фиксатор (7) и снимите крышку (3).
- Для облегчения снятия фильтра-тёрки (4) снимать её следует вместе сососборником (5), держась за сососборник (5) и подняв его по направлению вверх.
- Рекомендуется промывать все съёмные детали тёплой водой с нейтральным моющим средством сразу после работы.
- Отверстия фильтра-терки (4) удобнее промывать с наружной стороны, используя подходящую щетку.
- Соблюдайте осторожность при промывке фильтра-тёрки (4), поверхность дисковой тёрки очень острая.
- Не используйте посудомоечную машину для промывки фильтра-тёрки (4) и других съёмных деталей.
- Моторный блок (8) протирайте слегка влажной тканью, после чего протрите его насухо. Запрещается погружать моторный блок (8) в воду или в любые другие жидкости; запрещается промывать моторный блок (8) под струёй воды.
- Не используйте для чистки соковыжималки жёсткие губки, абразивные чистящие средства, а также растворители.

РУССКИЙ

- Некоторые продукты, такие как морковь или свёкла, могут окрасить съёмные детали соковыжималки, для удаления следов красителя можно использовать сухую ткань, смоченную в растительном масле, после очистки деталей промойте их тёплой водой с мягким моющим средством и просушите.

ПОЛЕЗНЫЕ СОВЕТЫ

- Используйте только свежие овощи и фрукты, так как в них содержится больше сока.
- Для приготовления сока можно использовать различные овощи (морковь, огурцы, свёклу, стебли сельдерея, шпинат, помидоры) или фрукты (яблоки, виноград, ананасы).
- Ягоды рекомендуется мыть непосредственно перед отжимом сока, т.к. они быстро теряют свежесть.
- Снимать тонкую кожицу с фруктов или овощей нет необходимости, срезать следует только толстую кожуру, например, у ананасов или свёклы.
- При отжиге яблочного сока вырезать у яблок сердцевину нет необходимости.
- При приготовлении яблочного сока помните, что насыщенность сока зависит от сорта яблок.
- Выбирайте сорт яблок, из которых получается сок, отвечающий вашим требованиям.
- Пейте сок сразу после его приготовления. При длительном хранении на воздухе сок

теряет свои вкусовые качества и пищевую ценность.

- Яблочный сок быстро темнеет, но если добавить в него несколько капель лимонного сока, это приостановит процесс потемнения сока.
- Если сок будет храниться в холодильнике, то перелейте его в чистую ёмкость с крышкой, чтобы сок не впитал в себя запахи продуктов, хранящихся в холодильнике. Хранить сок в металлической ёмкости не рекомендуется, так как сок может приобрести соответствующий привкус.
- Соковыжималка не предназначена для переработки фруктов с высоким содержанием крахмала или пектина, таких как бананы, папайя, авокадо, инжир, абрикосы, манго, красная и черная смородина. Для переработки этих фруктов пользуйтесь другими кухонными устройствами.
- Соковыжималка не предназначена для переработки очень твёрдых и волокнистых продуктов, таких как кокос, ревень или айва.

ХРАНЕНИЕ

- Прежде чем убрать соковыжималку на хранение, выполните требования раздела «ЧИСТКА И УХОД».
- Храните устройство в сухом прохладном месте, недоступном для детей и людей с ограниченными возможностями.

Обнаружение и устранение неисправностей

Неисправность	Методы устранения
При первом включении соковыжималки появляется неприятный запах.	Это нормальное явление, поскольку необходимо некоторое время для притирки угольных щеток в электромоторе.
Соковыжималка не работает	<ol style="list-style-type: none"> 1. Проверьте правильность сборки соковыжималки, убедитесь, что фиксатор находится в закрытом положении. 2. Проверьте наличие напряжения в сетевой розетке, для этого включите любой подходящий электроприбор в розетку.
Количество сока резко уменьшилось	<ol style="list-style-type: none"> 1. Забилась фильтрующая сетка <ul style="list-style-type: none"> – выключите соковыжималку, выньте сетевую вилку из розетки. – когда электромотор остановится, проверьте фильтр-терку. – очистите и промойте фильтр-терку.
Во время работы соковыжималка сильно вибрирует	<ol style="list-style-type: none"> 1. Возможно налипание отжимок на одной стороне фильтра-терки. <ul style="list-style-type: none"> – выключите соковыжималку, выньте сетевую вилку из розетки; – когда электромотор остановится, проверьте фильтр-терку; – очистите и промойте фильтр-терку. 2. Повреждение фильтра-терки. <ul style="list-style-type: none"> – осмотрите фильтр-терку, при наличии повреждений или трещин, замените фильтр-терку.

Неисправность	Методы устранения
Работа соковыжималки сопровождается сильным шумом, чувствуется неприятный запах, она сильно нагревается, появляется дым и т.д.	Немедленно прекратите использование соковыжималки, отключите ее от сети и обратитесь в авторизованный сервисный центр для проведения осмотра или ремонта.

КОМПЛЕКТАЦИЯ

Моторный блок – 1 шт.
 Толкатель – 1 шт.
 Крышка – 1 шт.
 Фильтр-тёрка – 1 шт.
 Сокоосборник – 1 шт.
 Контейнер для отжимок – 1 шт.
 Ёмкость для сбора сока – 1 шт.
 Инструкция – 1 шт.

ТЕХНИЧЕСКИЕ ХАРАКТЕРИСТИКИ

Номинальное напряжение : 220-240 В ~ 50 Гц
 Максимальная мощность 1000 Вт
 Номинальная мощность 500 Вт

УТИЛИЗАЦИЯ



В целях защиты окружающей среды, после окончания срока службы прибора и элементов питания, не выбрасывайте их вместе с обычными бытовыми отходами, передайте прибор и элементы питания в специализированные пункты для дальнейшей утилизации.

Отходы, образующиеся при утилизации изделий, подлежат обязательному сбору с последующей утилизацией в установленном порядке. Для получения дополнительной информации об утилизации данного продукта обратитесь в местный муниципалитет, службу утилизации бытовых отходов или в магазин, где Вы приобрели данный продукт.

Производитель сохраняет за собой право изменять дизайн, конструкцию и технические характеристики, не влияющие на общие принципы работы устройства, без предварительного уведомления, из-за чего между инструкцией и изделием могут наблюдаться незначительные различия. Если пользователь обнаружил такие несоответствия, просим сообщить об этом по электронной почте info@vitek.ru для получения обновленной версии инструкции.

Срок службы устройства – 3 года



Данное изделие соответствует всем требуемым европейским и российским стандартам безопасности и гигиены.

ИЗГОТОВИТЕЛЬ: СТАР ПЛЮС ЛИМИТЕД

МЕСТОНАХОЖДЕНИЕ И ПОЧТОВЫЙ АДРЕС

ДЛЯ СВЯЗИ: ЮНИТ БИ ЭНД СИ,
15Й ЭТАЖ, КЭЙСИ АБЕРДИН ХАУС, №38, ХЕНГ
ИП РОУД, ВОНГ ЧУК ХАНГ, ГОНКОНГ, КНР

ИМПОРТЕР: ООО «ВИТЕК.РУС»

МЕСТОНАХОЖДЕНИЕ И ПОЧТОВЫЙ АДРЕС

ДЛЯ СВЯЗИ: 117209, РФ,
Г. МОСКВА, СЕВАСТОПОЛЬСКИЙ ПР-КТ,
Д. 28, КОРП. 1.

СДЕЛАНО В КНР

ҚАЗАҚША

ШЫРЫНСЫҚҚЫШ VT-3653

Электрлі шырынсыққыш жеміс-жиектерден шырын дайындауға арналған.

СИПАТТАМАСЫ

1. Итергіш
2. Жүктейтін ауыз
3. Қақпақ
4. Үккіш-сүзгіш
5. Шырынжиганыш
6. Шырынды құюға арналған шүмек
7. Бекіткіш
8. Мотор блогі
9. Жұмыс режимдерін ауыстырып қосқыш (P-0-1-2)
10. Шырынды жинауға арналған ыдыс
11. Шырынды жинауға арналған ыдыс

ҚАУІПСІЗДІК ШАРАЛАРЫ

Құрылғыны қолданудың алдында осы пайдалану нұсқаулығын мұқият оқып шығыңыз және оны анықтағыш материал ретінде пайдалану үшін сақтап қойыңыз.

Құрылғыны осы нұсқаулықта айтылғандай, тікелей тағайыны бойынша пайдаланыңыз. Аспапты дұрыс пайдаланбау оның бұзылуына, пайдаланушыға немесе оның мүлкіне зиян келтіруіне әкелуі мүмкін.

- **Жұмыс істеу уақытында, сонымен қатар желілік баудың айыртетігі ашалыққа салынып тұрған жағдайларда, шырынсыққыштың қақпағын шешпеңіз; бұл ережені жарақаттарға жол бермеу үшін сақтау керек.**
- **Шырынсыққыштың үздіксіз жұмыс істеудің максималды уақыты - 3 минуттан артық емес, арасында 2 минуттан кем емес үзіліс міндетті.**
- Алғашқы іске қосу алдында, электр желісіндегі кернеу құрылғының жұмыс істеу кернеуіне сәйкес келетініне көз жеткізіңіз.
- Шырынсыққышты құрғақ, түзу және тұрақты бетке ғана пайдаланыңыз.
- Аспапты алғашқы пайдалану алдында, өңделетін азық-түлікпен жанасатын барлық шешілмелі бөлшектерді жақсылап жуыңыз.
- Қолыңызда үккіш-сүзгішті ұстағанда, сақ болыңыз, дискілі үккіштің беті өткір.
- Шырынсыққышты әр пайдаланған сайын үккіш-сүзгішті тексеріңіз. Егер сіз қандай да бір бүлінуді тапсаңыз, аспапты пайдалануды тоқтатыңыз және дереу үккіш-сүзгішті ауыстырыңыз.

- Тек жеткізу жинағына кіретін алынбалы бөлшектерді ғана пайдаланыңыз.
- Құрылғыны бөлмеден тыс жерде пайдалануға тыйым салынады.
- Аспапты және желілік бауды ыстық беттерден, жылу көздерінен және өткір заттардан алшақ ұстаңыз.
- Құрылғыны пайдалануды бастау алдында, барлық бөлшектердің дұрыс орнатылғанына көз жеткізіңіз.
- Шырынсыққышты оның қақпағы бекіткіштің көмегімен жабық болса ғана пайдалануға болады.
- Жұмыс істеу уақытында азық-түлікті жүктейтін ауызға саусақпен немесе басқа құралдармен итеруге тыйым салынады. Бұл мақсатта тек итергішті ғана пайдаланыңыз.
- Аспап іске қосулы тұрған кезде аузына бетіңізді таямаңыз, көкөністің/жемістің бөліктері аузынан ұшып шығуы және пайдаланушыға зақым келтіруі мүмкін.
- Сығындыларға арналған сауыт орнатылмаған кезде шырынсыққышты пайдалануға тыйым салынады.
- Шырынсыққыш азық-түлікті ұсақтауға және араластыруға арналмаған.
- Желілік сым айыры электрлік розеткаға жалғанып тұрған жағдайда шырын сыққышты бөлшектеуге тыйым салынады.
- Желілік баудың айыртетігін су қолмен ұстамаңыз.
- Аспапты сөндіргеннен және үккіш-сүзгіштің айналуы толық тоқтағаннан кейін ғана бекіткішті ашыңыз.
- Шырынсыққыштың корпусында судың немесе шырынның тамшылары пайда болса, оны өшіріп, электр желісінен ажыратыңыз және корпусы құрғақ матамен сүртіңіз.
- Жұмыс аяқталғаннан кейін құрылғыны сөндіріңіз және желілік сым айырын электрлік розеткадан ажыратыңыз.
- Жұмыс істеу уақытында балаларға құрылғыға және желілік бауға қолдарын тигізуге рұқсат етпеңіз.
- Балаларға құрылғыны ойыншық ретінде пайдалануға рұқсат етпеңіз.
- Берілген құрылғы балалардың пайдалануына арналмаған.
- Жұмыс істеу уақытында және жұмыс циклдері арасындағы үзілістерде құрылғыны балалардың қолы жетпейтін жерлерде орналастырыңыз.

- Бұл құрылғы физикалық, психикалық немесе ақыл-есі төмен адамдар не болмаса, тиісті тәжірибесі немесе білімі жоқ болған жағдайда, егер олар бақылауда болмаса немесе олардың қауіпсіздігіне жауапты адам құрылғыны қалай пайдалану туралы нұсқау бермеген жағдайда (балаларға да қатысты) қолдануына болмайды.
- Балалардың қауіпсіздігі мақсатында орау ретінде пайдаланылатын полиэтилен қаптарды қараусыз қалдырмаңыз.

Назар аударыңыз! Балаларға полиэтилен пакеттермен немесе қалтама үлдірмен ойнауға рұқсат бермеңіз. **Тұншығу қаупі!**

- Желілік баудың және желік бау айыртетігінің күйін мезгілімен тексеріп тұрыңыз.
- Үккіш-сүзгіштің, желілік баудың немесе желілік бау айыртетігінің бүлінулері болса, егер құрылғы іркілістермен жұмыс істесе, сонымен қатар құрылғы құлағаннан кейін шырынсыққышты пайдаланбаңыз.
- Аспапты өз бетімен жөндеуге тыйым салынады. Өздігіңізден құрылғыны бөлшектемеңіз, кез келген ақау шыққан жағдайда, сондай-ақ құрылғы құлаған жағдайда құрылғыны розеткадан алып тастаңыз да, байланысу мекенжайлары бойынша кепілдеме талонында көрсетілген кез келген авторланған (уәкілетті) сервистік орталыққа, және www.vitek.ru сайтына жүгініңіз.
- Құрылғыны тек зауыттық орауда тасымалдаңыз.
- Құрылғыны балалар және мүмкіндігі шектеулі адамдардың қолы жетпейтін жерде сақтаңыз.

ҚҰРЫЛҒЫ ТҰРҒЫН ПАНАЖАЙЛАРДА ТҰРМЫСТЫҚ ПАЙДАЛАНУ ҮШІН АРНАЛҒАН, ҚҰРЫЛҒЫНЫ КОММЕРЦИЯЛЫҚ ПАЙДАЛАНУ ЖӘНЕ ӨНДІРІСТІК АЙМАҚТАР МЕН ЖҰМЫС ПАНАЖАЙЛАРЫНДА ПАЙДАЛАНУҒА ТЫЙЫМ САЛЫНАДЫ.

АЛҒАШ ПАЙДАЛНАР АЛДЫНДА

Тасымалданғаннан кейін немесе құрылғы төмен температурада сақталған жағдайда оны бөлме температурасында 3 сағаттан кем емес уақыт ұстау қажет.

- Шырынсыққышты ораудан шығарыңыз.

Шырынсыққышты бөлшектеуді және тазалауды оны пайдалану алдында жүзеге асырыңыз:

- Итергішті (1) қақпақтың (3) аузынан (2) шығарыңыз.
 - Бекіткішті (7) түсіріңіз және қақпақты (3) шешіңіз.
 - Үккіш-сүзгішті (4) шешуді жеңілдету үшін үккіш-сүзгішті (4) шырынжинауышпен (5) бірге, шырынжинауыштан (5) ұстап және оны жоғары бағытта көтеріп шешу керек.
 - Азық-түлікпен жанасатын барлық шешілмелі бөлшектердің барлығын (1, 3, 4, 5, 11) жақсылап жуыңыз және оларды кептіріңіз.
- Ескерту:** Қолыңызда үккіш-сүзгішті (4) ұстағанда, сақ болыңыз, дискілі үккіштің өткір беті бар.

ШЫРЫНДЫ ДАЙЫНДАУ

Азық-түлікпен жанасатын барлық шешілмелі бөлшектерді жақсылап жуыңыз, және оларды кептіріңіз.

Өңдеуге арналған жемістер мен көкөністер жаңа піскен болуы керек.

Шырынды жасағанда, алдын-ала көкөністер мен жемістердің сабақтары, қатты қабығы немесе сүектерді жойыңыз - мысалы шиенің немесе шабдалының, көкөністерді/жемістерді жуыңыз және шырынсыққыш қақпағының аузына (2) жеңіл өтетін бөліктерге бөліңіз.

- Моторлық блокты (8) тұзу, құрғақ және тұрақты бетке қойыңыз.
- Құрастыру алдында, жұмыс режимдерінің ауыстырғышы «0» күйіне белгіленгеніне, ал желілік бау желіден ажыратылғанына көз жеткізіңіз.
- Шырынжинауышты (5) моторлық блокқа (8) орнатыңыз.
- Үккіш-сүзгішті (4) шырынжинауышқа (5) орнатыңыз.

НАЗАР АУДАРЫҢЫЗ!

Үккіш-сүзгіште (4) механикалық бұзылулар табылған кезде шырынсыққышты пайдаланбаңыз.

- Шырынсыққыштың артқы жағынан сығыншаға арналған контейнерді (10) орнатыңыз.
- Қақпақты (3) шырынжинауышқа (5) орнатыңыз және оны бекіткіш (7) көмегімен бекітіңіз.
- Егер шырынды құюға арналған шүмек (6) горизонталь орнатылған болса, онда оны жоғарыдан төмен қарай бағыт бойынша басыңыз.

ҚАЗАҚША

- Шырынды құюға арналған шүмектің (6) астына шырын жинауға арналған ыдысты (11) қойыңыз.
- Желілік баудың айыретігін электрлік ашалыққа салыңыз.
- Ауыстырып-қосқышты (9) «1» (төменгі жылдамдық) күйіне, «2» (жоғарғы жылдамдық) күйіне немесе «Р» (импульсті режим) күйіне орнатып шырынсыққышты қосыңыз.

Ескерту:

Төмен жылдамдық «1» жұмсақ көкөністердің/ жемістердің – қызандар, алмұрттар, бүлдірған, апельсиндер, алхоры, жүзім, асқабақ, пияз, қияр және т.с.с.-лардың шырынын сығу үшін арналған.

Жоғары жылдамдық «2» қатты көкөністердің/ жемістердің – бөрікгүл, сәбіз, алма, бұрыш, қызылша, қартоп, ананастар, кәді, балдыркөк, саумалдық, асқәгі, сопақ басты пияз және т.с.с.-лардың шырынын сығу үшін.

«Р» – бұл жұмыстың импульстік режимі, шырынсыққышты аз уақытқа қосады.

НАЗАР АУДАРЫҢЫЗ!

Тұтқыр немесе айтарлықтай қатты азық-түлікпен жұмыс жасаған кезде сүргіш-үккіштің (4) айналуының тоқтап қалуына жол бермеу үшін шырынсыққыштың жоғары «2» жылдамдық жұмыс тәртібін пайдалануға кеңес беріледі.

- Егер барлық шешілмелі бөліктер дұрыс орнатылған және қақпақ (3) бекіткішпен (7) бекітілген жағдайда ғана шырынсыққыш іске қосылады.
- Үккіш-сүзгіш (4) айналып тұрған кезде ғана азық-түлікті қақпақтың (3) аузына (2) жүктеңіз.
- Көкөністердің немесе жемістердің алдынала туралған бөліктерін қақпақтың (3) аузына (2) біртіндеп салыңыз және оларға итергішпен (1) сәл басыңыз. Итергішке (1) тым қатты баспаңыз, себебі бұл алынған шырын сапасының төмендеуіне және тіпті – үккіш-сүзгіштің (4) айналуының тоқтауына әкелуі мүмкін. Көкөністерді немесе жемістерді өңдеу неғұрлым баяу болса, шырын соғұрлым көп болады.
- Саусақтарды және басқа заттарды қақпақтың (3) аузына (2) салуға тыйым салынады.
- Жұмыс істеу уақытында сүзгіш торының сығындылармен бітеліп қалуы затына үккіш-сүзгіштің (4) жағдайын кезекті тексеріп тұрыңыз, және қажет болғанда үккіш-

сүзгіштің (4) жуып тұрыңыз, сүзгіштерді шешу алдында, шырынсыққышты сөндіру және желілік баудың айыретігін ашалықтан ажырату қажет.

- Сығындыларға арналған сауыттың (10) толуын байқаңыз, егер сауыт (10) толса, шырынсыққышты сөндіріңіз, желілік баудың айыретігін ашалықтан суырыңыз және сығындыларды алып тастаңыз.

Ескерту: - жұмыс кезіндегі үзілістерде немесе шырын жинауға арналған ыдыс (11) толғаннан кейін шырын құятын шүмекті (6) шүмектің (6) горизонталь күйінде көтеріңіз, сонда шырынның тамшылары үстелге тамшыламайды.

НАЗАР АУДАРЫҢЫЗ!

Шырынсыққыштың үздіксіз жұмыс жасауының максималдық рұқсатты уақыты – 2 минуттан кем емес үзілістер арқылы 3 минуттан аспауы керек.

500 гр. қатты және талшықты өнімді (цитрус, ананас, алма, сәбіз ж.т.с.с.) өңдегеннен кейін құралды ашып, тазалаңыз.

Осы талапты орындамау үгіткіш-тордың тірелуіне әкелуі мүмкін және құралды тазалауды қиындатады.

- Шырынсыққышты пайдаланып болғаннан кейін ауыстырғышты (9) «0» күйіне орнатып, оны сөндіріңіз және желілік баудың айыретігін ашалықтан суырыңыз.

ТАЗARTY ЖӘНЕ КҮТІМІ

Жұмысты аяқтағаннан кейін немесе тазалаудың алдында міндетті түрде құрылғыны сөндіріңіз және электр желісінен ажыратыңыз.

Шырынсыққышты бөлшектеуді және тазалауды әр пайдаланып болғаннан кейін орындаңыз және төменде келтірілген ұсыныстарды сақтаңыз.

- Итергішті (1) қақпақтың (3) аузынан (2) шығарыңыз.
- Бекіткішті (7) түсіріңіз және қақпақты (3) шешіңіз.
- Үккіш-сүзгішті (4) шешуді жеңілдету үшін үккіш-сүзгішті шырынжинауышпен (5) бірге, шырынжинауыштан (5) ұстап және оны жоғары бағытта көтеріп шешу керек.
- Барлық алынбалы бөлшектерді пайдаланылып болғаннан кейін бірден бейтарап жуғыш заты қосылған жылы сумен жуу керек.
- Үккіш-сүзгіштің (4) саңылауларын сәйкес қылшақты пайдаланып, сыртқы жағынан жуған ыңғайлы.

- Үккіш-сүзгішті (4) жуған кезде сақ болыңыз, үккіштің өткір беті бар.
- Үккіш-сүзгішті (4) және басқа шешілмелі бөлшектерді жуу үшін ыдыс жуатын машинаны пайдаланбаңыз.
- Моторлық блокты (8) сәл дымқыл матамен сүртіңіз, содан кейін құрғатып сүртіңіз. Моторлы блокты (8) суға немесе кез келген сұйықтықтарға батыруға және ағынды су астында шаюға тыйым салынады.
- Шырынсыққышты тазалау үшін қатты губканы, қажайтын тазалағыш заттарды, сондай-ақ еріткіштерді пайдаланбаңыз.
- Кейбір өнімдер, мысалы, сәбіз немесе қызылша, шырынсыққыштың алынбалы бөлшектерін бояп тастауы мүмкін, бояғыштың іздерін кетіру үшін өсімдік майына малынған құрғақ матаны пайдалануға болады, бөлшектерді тазалағаннан кейін оларды жұмсақ жуғыш заты қосылған жылы сумен жуып жіберіңіз де, кептіріп қойыңыз.
- Алманың шырынын дайындаған кезде, оның қанықтылығы пайдаланылатын алмалардың сұрпына байланысты екенін есте сақтаңыз.
- Сіздің талғамыңызға неғұрлым сәйкес келетін шырынды беретін алма сұрпын таңдаңыз.
- Шырынды дайындағаннан кейін бірден пайдаланыңыз. Ұзақ уақыт ауада сақтағанда шырынның дәмдік қасиеттері және тағамдық құндылығы жойылады.
- Алма шырыны тез қараяды, оған бірнеше тамшы лимон шырынын тамызыңыз, бұл шырынның қарау процесін тоқтатады.
- Шырын тоңазытқышта сақталатын болса, оны тоңазытқышта сақталатын тағамдардың иісін сіңіріп алмауы үшін қақпағы бар таза ыдысқа ауыстырып құйыңыз. Шырынды металл ыдыста сақтау ұсынылмайды, себебі ол сәйкес дәмге ие болуы мүмкін.
- Шырынсыққышта банандар, папайя, авокадо, інжір, өрік, манго, қызыл және қара қарақат сияқты крахмалы немесе пектині көп жемістерді өңдеу ұсынылмайды. Бұл жемістерді өңдеу үшін асханалық аспаптарды пайдаланыңыз.
- Шырынсыққыш өте қатты және талшықты өнімдерді өңдеуге көзделмеген, мысалы: кокос, ревень немесе айва.

ПАЙДАЛЫ КЕҢЕСТЕР

- Шырыны көбірек болғандықтан тек балғын жемістер мен көкөністерді ғана пайдаланыңыз.
- Шырын даярлау үшін түрлі көкөністерді (сәбіз, қияр, қызылша, сельдерей жапырақтары, шпинат, қызанақ) немесе жемістерді (алма, жүзім, ананас) қолдануға болады.
- Жидектерді тікелей шырын сығу алдында ғана жуу керек, себебі олар балғындығын тез жояды.
- Қабықты немесе жұқа қабықшаны тазалаудың қажеті жоқ, тек қалың қабықты (мысалы, ананасардан немесе қызылшадан) тазалау керек.
- Алма шырынын жасаған уақытта алманың ортасын оқ міндетті емес.

САҚТАЛУЫ

- Құрылғыны сақтауға алып қоймас бұрын, „ТАЗАРТУ ЖӘНЕ КҮТІМІ“ бөлімінің талаптарын орындаңыз.
- Құралды құрғақ салқын, балалардың және мүмкіндіктері шектеулі адамдардың қолы жетпейтін жерде сақтаңыз.

Ақауларды анықтау және оларды жою тәсілдері

Оқшылықтар	Жою әдістері
Шырынсыққышты алғаш рет іске қосқанда жағымсыз иіс пайда болды.	Бұл қалыпты құбылыс, себебі электрлік мотордағы көмір қылшақтардың үйкелесуі үшін біршама уақыт қажет.
Шырынсыққыш іске қосылмайды	1. Шырынсыққыштың дұрыс жиналғанын тексеріңіз, қысқыш дұрыс жағдайда орнатылғанын көріңіз. 2. Желі розеткасында кернеудің бар екендігіне көз жеткізіңіз, ол үшін кез келген басқа электрқұрылғысын розеткаға қосып көріңіз.
Шырынның мөлшері азайды	1. Сүзуші тор бітеліп қалған: – шырынсыққышты сөндіріңіз, ашалықтың желілік бауы айыртетігін суырыңыз. – электрлік мотор тоқтаған кезде, үккіш-сүзгішті тексеріңіз. – үккіш-сүзгішті тазалаңыз және жуыңыз.

ҚАЗАҚША

Олқылықтар	Жою әдістері
Жұмыс барысында шырысыққыш қатты дірілдейді	<ol style="list-style-type: none"> 1. Сығыншалар сүзгі езгіштің артқы жағында жабысып қалған болар. <ul style="list-style-type: none"> – шырынсыққышты сөндіріңіз, ашалықтың желілік бауы айыртетігін суырыңыз. – электромотор тоқтағанда үккіш-сүзгішті тексеріңіз; – үккіш-сүзгішті тазалаңыз және жуыңыз. 2. Үккіш-сүзгішті зақымдануы. <ul style="list-style-type: none"> – үккіш-сүзгішті қараңыз, сызаттар мен ақаулар болса, оны ауыстырыңыз.
Шырынсыққыш жұмыс барсында қатты шулайды, жағымсыз иіс пайда болады, ол қатты қызады, түгін шығады және т.б.	Шырынсыққышты қолдануды жедел тоқтатыңыз, оны желіден ажыратып, қарау немесе жөндеу үшін қызмет көрсету орталығына алып барыңыз.

ЖАДБЫҚТАЛУЫ

Моторлық блок – 1 дн.

Итергіш – 1 дана.

Қақпақ – 1 дн.

Үккіш-сүзгіш – 1 дн.

Шырышжинауыш – 1 дн.

Сығындыларға арналған контейнер – 1 дана

Шырынды жинауға арналған ыдыс – 1 дана

Нұсқаулық – 1 дн.

ТЕХНИКАЛЫҚ СИПАТТАМАЛАРЫ

Номиналдық кернеуі: 220-240 В ~ 50 Гц

Максималды қуаты: 1000 Вт

Номиналды қуаты: 500 Вт

ҚАЙТА ӨНДЕУ



Қоршаған ортаны қорғау мақсатында, аспаптың және қоректендіру элементтерінің қызмет ету мерзімі аяқталғаннан кейін, оларды дәстүрлі тұрмыстық қалдықтармен бірге тастамаңыз, аспап пен қоректендіру элементтерін келесі қайта өңдеу үшін арнайы пункттерге өткізіңіз.

Бұйымдарды қайта өңдеу кезінде пайда болатын қалдықтар белгіленген тәртіп бойынша келесі қайта өңделетін міндетті жинауға жатады.

Берілген өнімді қайта өңдеу туралы қосымша ақпаратты алу үшін жергілікті муниципалитетке, тұрмыстық қалдықтарды қайта өңдеу қызметіне немесе берілген өнімді Сіз сатып алған дүкенге хабарласыңыз.

Дайындаушы аспапты жақсарту мақсатында, алдын-ала хабарламай, аспаптың дизайнын, конструкциясы және оның жұмыс қағидатына әсер етпейтін техникалық сипаттарын өзгерту құқығын өзіне қалдырады, соған байланысты нұсқаулық пен бұйымның арасында кейбір айырмашылықтар болуы мүмкін. Егер пайдаланушы осындай сәйкессіздіктерді анықтаса, нұсқаулықтың жаңартылған нұсқасын алу үшін сәйкессіздік туралы info@vitek.ru электрондық поштасына хабарлауыңызды сұраймыз.

Құрылғының жұмыс уақыты – 3 жыл

Гарантиялық міндеттілігі

Гарантиялық жағдайдағы қаралып жатқан бөлшектер дилерден тек сатып алынған адамға ғана беріледі. Осы гарантиялық міндеттілігіндегі шағымдалған жағдайда төлеген чек немесе квитанциясын көрсетуі қажет.



СОКОВИЖИМАЛКА VT-3653

Електрична соковижималка призначена для приготування соків з фруктів або овочів.

ОПИС

1. Штовхач
2. Завантажувальна горловина
3. Кришка
4. Фільтр-тертка
5. Сокозбірник
6. Носик для зливання соку
7. Фіксатор
8. Моторний блок
9. Перемикач режимів роботи (P-0-1-2)
10. Контейнер для збору вичавків
11. Посудина для збирання соку

ЗАХОДИ БЕЗПЕКИ

Перед початком експлуатації пристрою уважно прочитайте цю інструкцію з експлуатації і збережіть її для використання як довідковий матеріал.

Використовуйте пристрій лише за його прямим призначенням, як викладено у цій інструкції. Неправильне поводження з пристроєм може призвести до його поломки, завдання шкоди користувачеві або його майну.

- **Щоб уникнути травм, не знімайте кришку соковижималки під час роботи, а також в тому випадку, якщо вилка мережного шнура вставлена в електричну розетку.**
- **Максимально допустимий час безперервної роботи соковижималки складає не більше 3 хвилини з наступною перервою не менше 2 хвилин.**
- Перед першим вмиканням переконайтеся, що напруга в електричній мережі відповідає робочій напрузі пристрою.
- Використовуйте соковижималку тільки на сухій, рівній та стійкій поверхні.
- Перед першим використанням соковижималку ретельно промийте всі знімні деталі, які контактуватимуть з переробляємими продуктами.
- Дотримуйтеся обережності, коли тримаєте у руках фільтр-тертку, поверхня дискової тертки дуже гостра.
- Перевіряйте стан фільтра-тертки перед кожним використанням соковижималки. Якщо ви виявите які-небудь механічні пошкодження, припиніть використання пристрою і негайно замініть фільтр-тертку.

- Використовуйте лише ті знімні деталі, які входять до комплекту постачання.
- Забороняється використовувати пристрій поза приміщеннями.
- Не розташовуйте пристрій та мережний шнур поблизу гарячих поверхонь, джерел тепла і гострих пругів меблів.
- Перш ніж почати користуватися пристроєм переконайтеся, що всі деталі встановлені правильно.
- Користуватися соковижималкою можна лише в тому випадку, якщо кришка соковижималки закріплена за допомогою фіксатора.
- Під час роботи забороняється проштовхувати продукти в завантажувальну горловину пальцями або іншими предметами. Для цього користуйтеся лише штовхачем.
- Не нахиляйте обличчя над відкритою горловиною при увімкненому пристрої, шматочки овочів/фруктів можуть вилетіти з горловини і завдати травму користувачеві.
- Забороняється користуватися соковижималкою без контейнера для збору вичавків.
- Соковижималка не призначена для подрібнення або змішування продуктів.
- Забороняється розбирати соковижималкою, якщо вилка мережного шнура вставлена в електричну розетку.
- Не торкайтеся вилок мережного шнура мокрими руками.
- Відкривайте фіксатор тільки після вимкнення пристрою і повного припинення обертання фільтра-тертки.
- При з'явленні крапель волого або соку на корпусі соковижималки вимкніть пристрій, від'єднайте з електромережі і протріть корпус сухою тканиною.
- Після закінчення роботи вимкніть пристрій і витягніть вилку мережевого шнура з електричної розетки.
- Не дозволяйте дітям торкатися пристрою та мережного шнура під час роботи.
- Не дозволяйте дітям використовувати пристрій як іграшку.
- Цей пристрій не призначений для використання дітьми.
- Під час роботи та у перервах між робочими циклами установлюйте пристрій у місцях, недоступних для дітей.
- Цей пристрій не призначений для використання особами (включаючи дітей) зі зниженими фізичними, психічними і розумовими здібностями або при відсутності у

УКРАЇНЬСКА

них досвіду або знань, якщо вони не знаходяться під контролем або не проінструктовані щодо використання пристрою особою, відповідальною за їх безпеку.

- З міркувань безпеки дітей не залишайте поліетиленові пакети, що використовуються як упаковка, без нагляду.

Увага! Не дозволяйте дітям грати з поліетиленовими пакетами або пакувальної плівкою.

Небезпека задущення!

- Періодично перевіряйте стан мережного шнура і вилки мережного шнура.
- Не використовуйте соковижималку, якщо є пошкодження фільтра-тертки, мережного шнура або вилки мережного шнура, якщо пристрій працює з перебоями, а також після падіння пристрою.
- Забороняється самостійно ремонтувати пристрій. Не розбирайте пристрій самостійно, при виникненні будь-яких несправностей, а також після падіння пристрою вимкніть пристрій з електричної розетки та зверніться до будь-якого авторизованого (уповноваженого) сервісного центру за контактними адресами, вказаними у гарантійному талоні та на сайті www.vitek.ru.
- Перевозьте пристрій лише у заводській упаковці.
- Зберігайте пристрій у місцях, недоступних для дітей і людей з обмеженими можливостями.

ПРИСТРІЙ ПРИЗНАЧЕНИЙ ТІЛЬКИ ДЛЯ ПОБУТОВОГО ВИКОРИСТАННЯ У ЖИТЛОВИХ ПРИМІЩЕННЯХ, ЗАБОРОНЯЄТЬСЯ КОМЕРЦІЙНЕ ВИКОРИСТАННЯ ТА ВИКОРИСТАННЯ ПРИСТРОЮ У ВИРОБНИЧИХ ЗОНАХ ТА РОБОЧИХ ПРИМІЩЕННЯХ.

ПЕРЕД ПЕРШИМ ВИКОРИСТАННЯМ

Після транспортування або зберігання пристрою при зниженій температурі необхідно витримати його при кімнатній температурі не менше 3 годин.

- Вийміть соковижималку з упаковок.

Розбирайте та чистіть соковижималку перед її використанням:

- Вийміть штовхач (1) з завантажувальної горловини (2) кришки (3).
- Відпустіть фіксатор (7) і зніміть кришку (3).
- Для полегшення зняття фільтра-тертки (4) знімайте фільтр-тертку (4) разом з

сокозбірником (5), тримаючись за сокозбірник (5) і піднявши його у напрямку вгору.

- Ретельно промийте всі знімні деталі (1, 3, 4, 5, 11), які контактуватимуть з продуктами, та просушіть їх.

Примітка: Будьте обережні, коли тримаєте в руках фільтр-тертку (4), поверхня дискової тертки дуже гостра.

ПРИГОТУВАННЯ СОКУ

Перед першим увімкненням переконайтеся, що робоча напруга пристрою відповідає напрузі електромережі.

Фрукти і овочі, призначені для перероблення, мають бути свіжими.

Перед вичавлюванням соку вийміть овочі/фрукти, видаліть неїстівні частини у овочів або фруктів, такі як плодоніжки, тверда шкірка або кісточки, наприклад, вишневі або персикові, поріжте їх на шматочки, які б легко проходили в завантажувальний горловину (2).

- Встановіть моторний блок (8) на рівну суху і стійку поверхню.
- Перед збиранням соковижималки переконайтеся, що перемикач режимів роботи встановлений у положення «0», а вилка мережного шнура не вставлена в електричну розетку.
- Установіть сокозбірник (5) на моторний блок (8).
- Установіть фільтр-тертку (4) у сокозбірник (5).

УВАГА!

Використання соковижималки забороняється при виявленні механічних пошкоджень на фільтрі-тертці (4).

- З заднього боку соковижималки установіть контейнер для збору вичавків (10).
- Установіть кришку (3) на сокозбірник (5) та зафіксуйте її за допомогою фіксатора (7).
- Якщо носик для зливання соку (6) встановлен горизонтально, то натисніть на нього у напрямку зверху вниз.
- Установіть під носик для зливання соку (6) посудину для збирання соку (11).
- Вставте вилку мережного шнура в електричну розетку.
- Увімкніть соковижималку, встановивши перемикач (9) у положення «1» (низька швидкість), положення «2» (висока швидкість), або положення «Р» (імпульсний режим роботи).

Примітки:

Низька швидкість «1» слугує для вичавлювання соку з м'яких овочів/фруктів – таких як томати, стиглі груші, полуниця, апельсини, сливи, виноград, гарбуз, цибуля, огірки і т.ін.

Висока швидкість «2» слугує для вичавлення соку з твердих овочів/фруктів, таких як артишоки, морква, яблука, перець, буряк, картопля, ананаси, кабачки, селера, шпинат, кріп, цибуля-порей і т.ін.

Імпульсний режим роботи «Р» слугує для короткочасного увімкнення соковижималки.

УВАГА!

При роботі з в'язкими або досить твердими продуктами, щоб уникнути припинення обертання фільтра-тертки (4) рекомендується використовувати режим роботи соковижималки на високій швидкості «2».

- Соковижималка увімкнеться лише у тому випадку, якщо всі знімні частини встановлені правильно, а кришка (3) закріплена фіксатором (7).
- Завантажуйте продукти в завантажувальну горловину (2) кришки (3) тільки під час обертання фільтра-тертки (4).
- Поступово опускайте попередньо порізані шматочки овочів або фруктів в завантажувальну горловину (2) кришки (3) і злегка надавлюйте на них штовхачем (1). Не натискайте занадто сильно на штовхач (1), оскільки це може призвести до зниження кількості отриманого соку і навіть до припинення обертання фільтра-тертки (4). Чим повільніше відбувається оброблення овочів або фруктів, тим більше вихід соку.
- Забороняється опускати пальці або інші предмети в завантажувальну горловину (2) кришки (3).
- Під час роботи періодично перевіряйте стан фільтра-тертки (4) на предмет засмічення сітки м'якоттю, при необхідності промивайте фільтр-тертку (4), перед зняттям фільтра-тертки вимкніть соковижималку і вийміть вилку мережного шнура з електричної розетки.
- Наглядайте за наповненням контейнера для збору вичавків (10), якщо контейнер (10) заповнився, вимкніть соковижималку, вийміть вилку мережного шнура з електричної розетки і видаліть вичавки.

Примітка: - у перервах під час роботи або після наповнення посудини для збирання соку (11) трохи підніміть носик для зливання соку (6), у горизонтальному положенні носика (6) краплі соку не капатимуть на стіл.

УВАГА!

Максимально допустимий час безперервної роботи соковижималки – не більше 3 хвилини з наступною перервою не менше 2 хвилини.

Після перероблення 500 г твердих та волокнистих продуктів (цитрусових, ананасів і т.ін.) розбирайте та чистіть пристрій. Недотримання цієї вимоги може призвести до заклинювання сітки-тертки та ускладнить чищення пристрою.

- Після використання соковижималки вимкніть її, встановивши перемикач (9) у положення «0» і вийміть вилку мережного шнура з електричної розетки.

ЧИЩЕННЯ ТА ДОГЛЯД

Після закінчення роботи або перед чищенням обов'язково вимикайте пристрій і вимикайте його з електромережі.

Розбирайте та чистіть соковижималки після кожного її використання, виконуючи наступні рекомендації.

- Вийміть штовхач (1) з завантажувальної горловини (2) кришки (3).
- Опустіть фіксатор (7) і зніміть кришку (3).
- Для полегшення зняття фільтра-тертки (4) знімати її слід разом з сокозбірником (5), тримаючись за сокозбірник (5) і піднявши його у напрямку вгору.
- Рекомендується промивати всі знімні деталі теплою водою з нейтральним мийним засобом відразу після роботи.
- Отвори фільтра-тертки (4) зручніше промивати з зовнішнього боку, використовуючи відповідну щітку.
- Дотримуйтеся обережності при промиванні фільтра-терки (4), поверхня дискової терки дуже гостра.
- Не використовуйте посудомийну машину для промивання фільтра-тертки (4) та інших знімних деталей.
- Моторний блок (8) протирайте злегка вологою тканиною, після чого протріть його досуха. Забороняється занурювати моторний блок (8) у воду або у будь-які інші рідини; забороняється промивати моторний блок (8) під струменем води.

УКРАЇНЬСКА

- Забороняється використовувати для чищення жорсткі губки, абразивні чистячі засоби, а також розчинники.
- Деякі продукти, наприклад, морква або буряк, можуть забарвити знімні деталі соковижималки, для усунення слідів барвника можна використовувати суху тканину, змочену в рослинній олії, після очищення деталей промийте їх теплою водою з додаванням м'якого миючого засобу і просушіть.
- Пийте сік відразу після його приготування. При тривалому зберіганні на повітрі сік втрачає свої смакові якості і харчову цінність.
- Яблучний сік швидко темніє, але якщо додати в нього декілька крапель лимонного соку, це припинить процес потемніння соку.
- Якщо сік зберігатиметься в холодильнику, то перелийте його у чисту посудину з кришкою, щоб він не ввібрав у себе запахи продуктів, що зберігаються у холодильнику. Зберігати сік у металевій посудині не рекомендується, так як сік може придбати відповідний присмак.

КОРИСНІ ПОРАДИ

- Використовуйте тільки свіжі овочі і фрукти, так як в них міститься більше соку.
- Для приготування соку можна використовувати різні овочі (моркву, огірки, буряк, стебла селери, шпинат, помідори) або фрукти (яблука, виноград, ананаси).
- Ягоди рекомендується мити безпосередньо перед вичавлюванням соку, так як вони швидко втрачають свіжість.
- Очищати тонку шкірку з фруктів або овочів немає необхідності, зрізати слід тільки товсту шкірку, наприклад, з ананасів або буряку.
- При вичавлюванні яблучного соку вирізати у яблук серцевину немає необхідності.
- При приготуванні яблучного соку пам'ятайте, що насиченість соку залежить від сорту яблук.
- Вибирайте сорт яблук, з яких виходить сік, що відповідає вашим вимогам.
- Соковижималка не призначена для перероблення дуже твердих та волокнистих продуктів, таких як кокос, ревінь або айва.

ЗБЕРІГАННЯ

- Перш ніж забрати соковижималку на зберігання, виконайте вимоги розділу «ЧИЩЕННЯ ТА ДОГЛЯД».
- Зберігайте пристрій у сухому прохолодному місці, недоступному для дітей та людей з обмеженими можливостями.

Виявлення і усунення несправностей

Несправність	Метод усунення
При першому увімкненні соковижималки з'являється неприємний запах.	Це нормальне явище, оскільки потрібен певний час для притирання вугільних щіток в електродвигуні.
Соковижималка не працює	<ol style="list-style-type: none"> 1. Перевірте правильність складання соковижималки, переконайтеся, що фіксатор знаходиться у закритому положенні. 2. Перевірте наявність напруги у мережній розетці, для цього увімкніть будь-який відповідний електроприлад у розетку.
Кількість соку різко зменшилася	<ol style="list-style-type: none"> 1. Забилася фільтрувальна сітка <ul style="list-style-type: none"> - вимкніть соковижималку, вийміть мережну вилку з розетки. - коли електромотор зупиниться, перевірте фільтр-тертку. - очистіть і промийте фільтр-тертку.
Під час роботи соковижималка сильно вібрує	<ol style="list-style-type: none"> 1. Можливе налипання вичавків на одному боці фільтра-тертки. <ul style="list-style-type: none"> - вимкніть соковижималку, вийміть мережну вилку з розетки. - коли електромотор зупиниться, перевірте фільтр-тертку. - очистіть і промийте фільтр-тертку. 2. Пошкодження фільтра-тертки. <ul style="list-style-type: none"> - огляньте фільтр-тертку, якщо є пошкодження або тріщини, замініть фільтр-тертку.

Несправність	Метод усунення
Робота соковижималки супроводжується сильним шумом, відчувається неприємний запах, вона сильно нагрівається, з'являється дим і т.ін.	Негайно припиніть використання соковижималки, вимкніть її з мережі та зверніться до авторизованого сервісного центру для проведення огляду або ремонту.

КОМПЛЕКТАЦІЯ

Моторний блок – 1 шт.
 Штовхач – 1 шт.
 Кришка – 1 шт.
 Фільтр-тертка – 1 шт.
 Сокозбірник – 1 шт.
 Контейнер для вичавків – 1 шт.
 Посудина для збирання соку – 1 шт.
 Інструкція – 1 шт.

ТЕХНІЧНІ ХАРАКТЕРИСТИКИ

Номінальна напруга: 220-240 В ~ 50 Гц
 Максимальна потужність: 1000 Вт
 Номінальна потужність: 500 Вт

УТИЛІЗАЦІЯ



Для захисту навколишнього середовища після закінчення терміну служби пристрою та елементів живлення не викидайте їх разом з побутовими відходами, передайте пристрій та елементи живлення у спеціалізовані пункти для подальшої утилізації.

Відходи, що утворюються при утилізації виробів, підлягають обов'язковому збору з подальшою утилізацією установленим порядком.

Для отримання додаткової інформації про утилізацію даного продукту зверніться до місцевого муніципалітету, служби утилізації побутових відходів або до крамниці, де Ви придбали цей продукт.

Виробник зберігає за собою право змінювати дизайн, конструкцію та технічні характеристики, які не впливають на загальні принципи роботи пристрою, без попереднього повідомлення, через що між інструкцією та виробом можуть спостерігатися незначні відмінності. Якщо користувач виявив такі невідповідності, просимо повідомити про це по електронній пошті info@vitek.ru для отримання оновленої версії інструкції.

Термін служби пристрою – 3 роки

Гарантія

Докладні умови гарантії можна отримати в дилера, що продав дану апаратуру. При пред'явленні будь-якої претензії протягом терміну дії даної гарантії варто пред'явити чек або квитанцію про покупку.

КЫРГЫЗ

ШИРЕ СЫГУУЧУ АСПАП VT-3653

Электрикалык шире сыгуучу аспап мемелөрдөн же жашылчалардан шире жасоо үчүн арналган.

СЫПАТТАМА

1. Түрткүч
2. Азыктарды салуучу алкым
3. Капкак
4. Сүргүч чыпкасы
5. Шире топтогуч
6. Шире куюлуучу чоргоочу
7. Фиксатор
8. Мотор сапсалгысы
9. Иштөө режимдерин (P-0-1-2) которгучу
10. Калдыктарын топтоочу контейнери
11. Шире топтоочу идиш

КООПСУЗДУК ЧАРАЛАРЫ

Электр шайманды пайдалануудан мурун колдонмону көңүл коюп окуп-үйрөнүп маалымат катары сактап алыңыз.

Шайманды тике дайындоо боюнча гана, ушул колдонmodo жазылганга ылайыктуу колдонуңуз. Шайманды туура эмес пайдалануу анын бузулуусуна, колдонуучуга же колдонуучунун мүлкүнө зыян келтирүүгө алып келиши мүмкүн.

- **Жаракат албоо үчүн шире сыгуучу аспап иштеп турганда жана кубаттандыруучу сайгычы электр розеткасына сайылган учурларда аспаптын капкагын ачпаңыз.**
- **Шире сыгуучу аспап токтоосуз иштеген убактысы 3 мүнөттөн ашпай, иштеткен убакыттардын арасындагы тыныгуулар 2 мүнөттөн кем болбосу зарыл.**
- Шайманды биринчи иштеткенде чыңалуусу электр тармагынын чыңалуусуна ылайык болгонун текшерип алыңыз.
- Шире сыгуучу аспапты кургак, тегиз туруктуу беттин үстүндө гана колдонуңуз.
- Биринчи иштеткендин алдында иштеткен азыктарды тийе тугран болгон чечилүүчү бөлүктөрүн кылдаттык менен жууңуз.
- Сүргүч чыпкасын колуңузда кармаганда этият болуңуз, диск сүргүчтүн бети абдан учтуу.
- Шайманды иштете турган учурда ар дайым сүргүч чыпканын абалын текшериниз. Кандайдыр механикалык бузулууларды тапсаңыз шайман колдонууну токтотуп, тез түрдө сүрткүч чыпкасын алмаштырыңыз.
- Жабдыгына кирген чечилүүчү бөлүктөрүн гана колдонуңуз.

- Шайманды имараттардын сыртында колдолонбоңуз.
- Шайманды жана электр шнурун ысык беттердин, жылуулуктун булактарын жана эмеректин учтуу кырлырынын жанында жайгашпаңыз.
- Шайманды колдоно баштагандан мурун бардык бөлүктөрү туура орнотулганын текшериниз.
- Капкагы фиксатордун жардамы менен бекитилген учурда гана шире сыгуучу аспапты колдонууга уруксат берилет.
- Аспапты иштеткенде азыктарды салуучу алкымына бармактарыңыз же башка нерсе менен түртүүгө тыюу салынат, бул максат үчүн түрткүчүн гана колдонуңуз.
- Шайман иштеген кезде ачык алкымына бетиңизди жакындатпаңыз, жемиштердин же жашылчалардын бөлүктөрү алкымынан ыргып колдонуучуга жаракат келтирүүсү мүмкүн.
- Шире сыгуучу аспапты калдыктарды топтоочу контейнери жок колдонууга тыюу салынат.
- Шире сыгуучу аспап азыктарды майдалатуу же кошуу үчүн арналган эмес.
- Кубаттандыруу сайгычы электр розеткасына сайылуу убагында шайманды ажыратууга тыюу салынат.
- Кубаттандыруу сайгычын суу колуңуз менен тийбеңиз.
- Шайманды өчүрүп, сүргүч чыпкасы токтогондон кийин гана фиксаторду ачыңыз.
- Шаймандын корпусунда шире же суу тамчылары пайда болгондо аспапты өчүрүп, кубаттандыруу сайгычын электр розеткадан суруп, корпусун кургак чпүрөк менен сүртүңүз.
- Шайманды иштетип бүткөндөн кийин аны өчүрүп, сайгычын электр розеткадан чыгарыңыз.
- Шайман иштеген учурда балдарга корпусун жана электр шнурун тийгенге уруксат бербениз.
- Балдарга шайманды оюнчук катара колдонгонго уруксат бербениз.
- Бул шайман балдар колдонгону үчүн арналган эмес.
- Шайман иштеп турганда жана иштөө циклдердин арасындагы тыныгууларда аны балдар жетпеген жерге коюңуз.
- Бул шайман дене күчү, сезими же акыл-эси жагынан жөндөмдүүлүгү төмөн (ошонун ичинде балдар да) адамдар же колдонуу боюнча тажрыйбасы же билими жок болгон

адамдар, эгерде алардын коопсуздугуна жооптуу адам аларды көзөмөлдөп же инструкциялаган болбосо колдонуу үчүн ылайыкташтырылбаган.

- Балдардын коопсуздугу үчүн таңгак катары колдонулган полиэтилен баштыктарды кароосуз таштабаңыз.

Көңүл буруңуздар! Полиэтилен баштыктар же таңгак пленкасы менен ойногонго балдарга уруксат бербейиз! **Тумчуктуруунун коркунучу бар!**

- Электр шнурунун жана кубаттуучу сайгычтын абалын мезгилдүү түрдө текшерип туруңуз.
- Сүрткүч чыпкасынын, электр шнурун же кубаттуучу сайгычтын бузулуулары бар болгондо, шайман иштеп-иштебей турганда же кулап түшкөндөн кийин шайманды иштетүүгө тыюу салынат.
- Шайманды өз алдынча оңдогонго тыюу салынат. Шайманды өз алдынча ажыратпай, ар кыл бузулуулар пайда болгон же шайман кулап түшкөн учурларда аны розеткадан суруп, кепилдик талонундагы же www.vitek.ru сайтындагы тизмесине кирген автордоштурулган (ыйгарым укуктуу) тейлөө борборуна кайрылыңыз.
- Шайманды заводдук таңгагында гана транспорттоо зарыл.
- Шайманды балдар жана жөндөмдүүлүгү төмөн болгон адамдар жетпеген жеринде сактаңыз.

АСПАП ТУРАК ЖАЙЛАРДА ТУРМУШ-ТИРИЧИЛИК КОЛДОНУУГА ГАНА АРНАЛГАН, КОММЕРЦИЯЛЫК КОЛДОНУУГА, ӨНӨР ЖАЙ ЗОНАЛАРЫНДА ЖЕ ЖУМУШ ИМАРАТТАРДА КОЛДОНУУГА ТЫЮУ САЛЫНАТ.

БИРИНЧИ КОЛДОНУУНУН АЛДЫНДА

Төмөндөгөн температурада шайманды транспорттоодон же сактоодон кийин аны үч сааттан кем эмес мөөнөткө үй температурасында сактоо зарыл.

- Шире сыгуучу аспапты таңгактан чыгарыңыз.

Шире сыгуучу аспапты колдонуудан мурун аны ажыратып тазалаңыз:

- Түрткүчтү (1) капкактын (3) азыктарды салуучу алкымынан (2) чыгарыңыз.
- Фиксаторду (7) ачып, капкакты (3) чечиңиз.
- Сүргүч чыпкасын (4) чечүүнү оңойлотуу үчүн шире топтогучту (5) өйдө тарып, шире топтогучу (5) менен сүргүч чыпкасын (4) чечиңиз.

- Иштеткен азыктарына тие тугран бардыгы чечилүүчү болуктөрүн (1, 3, 4, 5, 11) кылдаттык менен жууңуз да кургатып алыңыз.

Эскертүү: Сүргүч чыпкасын (4) колуңузда кармаганда этият болуңуз, диск сүргүчтүн бети абдан учтуу.

ШИРЕ ЖАСОО

Шайманды биринчи иштеткенден мурун анын иштөө чыңалуусу электр тармагындагы чыңалуусуна ылайык болгонун текшерипиз.

Иштете турган жемиштер жана жашылчалар жаңы болушу зарыл.

Шире сыгуудан мурун жемиш/жашылчаларды жууп, сабагы, катуу кабык же алча, шабдалы данектериндей катуу данектер катары желбес бөлүктөрүн алып, азыктар салуучу алкымынан (2) оңой өтө турган кесимдерге кесипиз.

- Мотор сапсалгысын (8) кургак, тыгыз, туруктуу бетине орнотуңуз.
- Шире сыгуучу аспапты кураштыруудан мурун иштөө режимдердин которгучу «0» абалында болуп, кубаттандыруу сайгычы электр розеткасынан сурулуп турганын текшерипиз.
- Шире топтогучун (5) мотор сапсалгысынын (8) үстүнө орнотуңуз.
- Сүргүч чыпкасын (4) шире топтогучтун (5) ичине орнотуңуз.

Эскертүү: Сүргүч чыпкасында (4) механикалык бузулоолор пайда болсо шире сыгуучу аспапты колдонууга тыюу салынат.

- Шире сыгуучу аспаптын арты жагына калдыктарын топтоочу контейнерин (10) орнотуңуз.
- Капкакты (3) шире топтогучуна (5) орнотуп, фиксатор (7) менен бекитиңиз.
- Шире куюлуучу чоргосу (6) горизонталдуу орнотулган болсо, аны үстүнөн асты тарабына басыңыз.
- Шире куюлуучу чоргочосунун (6) астына шире топтоочу идишин (11) орнотуңуз.
- Электр шнурунун сайгычын электр розеткасына сайыңыз.
- Которгучту (9) «1» (төмөн ылдамдык), «2» (чоң ылдамдык) же «Р» (иштөөнүн импульстук режими) абалына коюп шире сыгуучу аспапты иштетиңиз.

Эскертүү:

Төмөн ылдамдык «1» томат, бышкан алмурут, кулпунай, апельсин, кара өрүк, жүзүм, ашкабак, пляз, бадыраң катары жумушак жемиш/жашылчалардан шире сыгууга арналган.

КЫРГЫЗ

Чоң ылдамдык «2» артишок, сабиз, алма, калемпир, кызылча, картөшкө, ананас, кабакча, селдерей, шпинат, ашкөк, порей пияз катары катуу жемиш/жашылчалардан шире сыгууга арналган.

Импулстук иштөө режими «Р» шире сыгуучу аспапты аз убакытка иштетүү үчүн арналган.

КӨҮЛ БУРУҢУЗДАР!

Илээшме жана катуу азыктарды иштеткенде сүргүч чыпкасынын (4) айлануусу токтоп калбаганы үчүн үчүн шире сыгуучу аспаптын чоң ылдамдык режимин «2» колдонгону көрсөтүлөт.

- Болгон чечилүүчү бөлүмдөрү туура орнотулуп, капкагы (3) фиксатор (7) аркылуу бекитилгенде гана иштейт.
- Сүргүч чыпкасы (4) аланып турганда гана азыктарды капкактын (3) азык салуучу алкымына (2) салыңыз.
- Кесилген азыктарды капкактын (3) азык салуучу алкымына (2) азыктарды түрткүч (1) менен түртүп аз-аздан салып туруңуз.
- Түрткүчтү (1) өтө катуу түртпөнүз, анткени бул сыгылган ширенин көлөмүн азайтууга же сүргүч чыпкасы (4) токтогонуна алып келиши мүмкүн. Жемиш же жашылчалар канча акырындык менен иштетилип турса, ошончо ширенин көлөмү чоң болот.
- Капкактын (3) азык салуучу алкымына (2) бармактарды же башка буюмдарды салууга тыюу салынат.
- Шайманды иштеткен убагында сүргүч чыпкасы (4) сулп эти менен ыпластанбаганын текшерип, керек болгондо сүргүч чыпкасын (4) жууп туруңуз, сүргүч чыпкасын чыгаргандан мурун шире сыгуучу аспапты өчүрүп, электр шнурунун сайгычын розеткадан суруңуз.
- Калдыктар топтоочу контейнери (10) толуп турганын байкап туруңуз, контейнер (10) толуп калганда шире сыгуучу аспапты өчүрүп, сайгычын розеткадан чыгарып, калдыктарды ыргытыңыз.

Эскертүү: - иштетүүнүн тыныгууларында же шире топтоочу идиш (11) толгондо, шире куюлуучу чоргосун (6) көтөрүп алыңыз, чоргонун (6) горизонталдуу абалында ширенин столго тамчылабайт.

КӨҮЛ БУРУҢУЗДАР!

Шире сыгуучу аспап токтоосуз иштеген убактысы 3 минутадан ашпай, иштеткен убакыттардын арасындагы тыныгуулар 2 минутадан кем болбогону зарыл.

Катуу жана булалуу азыктарды (цитрус, ананас, алма, сабиз ж.б.) 500 гр. иштеткенден кийин шайманды ажыратып тазалап туруңуз.

Бул талапты аткарбаганы сүрткүч чыпкасы шынаалоосуна алып келип, шайманды тазалоосун татаалдаштырат.

- Шире сыгуучу аспапты колдонгондон кийин которгучту (9) «0» абалына коюп аспапты өчүрүңүз да сайгычты электр розеткасынан суруңуз.

ТАЗАЛОО ЖАНА КАРОО

Шайманды иштетип бүткөндө же тазалагандын алдында аны милдеттүү түрдө өчүрүп, электр тармагынан суруңуз.

Төмөнкүдөгү колдонмого ылайык шире сыгуучу аспапты колдонгондон кийин ар дайым ажыратып тазалап туруңуз.

- Түрткүчтү (1) капкактын (3) азыктарды салуучу алкымынан (2) чыгарыңыз.
- Фиксаторду (7) ачып, капкакты (3) чечиңиз.
- Сүргүч чыпкасын (4) чечүүнү оңойлотуу үчүн шире топтогучту (5) өйдө тарып, шире топтогучу (5) менен сүргүч чыпкасын чечиңиз.
- Аспапты иштеткенден кийин жылу суу жана нейтралдуу жуучу каражаттарды колдонуп болгон чечилүүчү бөлүктөрүн дароо жууп турушу рекомендацияланат.
- Сүргүч чыпкасынын (4) тешиктерин сырткы жагынан ылайыктуу щетка менен колдонуп тазалаганы ыңгайлуу болот.
- Сүргүч чыпкасын (4) тазалаганда этият болуңуз, диск сүргүнүн бети абдан учтуу.
- Сүргүч чыпкасын (4) жана башка чечилүү бөлүктөрүн жууганда идиш жуучу аспабын колдонбоңуз.
- Мотор сапсалгысын (8) бир аз нымдуу чүпүрөк менен сүртүп, кургатып сүртүңүз. Мотор сапсалгысын (8) сууга же башка суюктуктарга салууга; суу агымынын алдында Мотор сапсалгысын (8) жууганга тыюу салынат.
- Шире сыгуучу аспапты тазалоо үчүн металлдан жасалган щеткаларды жана абразивдүү же зритүүчү каражаттарды колдонбоңуз.
- Сабиз же кызылча катары кээ бир азыктары шире сыгуучу аспаптын чечилүүчү бөлүктөрүн боеп салышы мүмкүн, боекту өсүмдүк майына малынган кургак чүпүрөк менен кетирсеңиз болот, тазалагандан кийин бөлүктөрдү нейтралдуу жуучу каражат колдонуп жылу сууга жууп, кургатып алыңыз.

ПАЙДАЛУУ КЕҢЕШТЕР

- Жаңы жемиштер жана жашылчаларды колдонунуз, анткени алардын ширесинин көлөмү көбүрөөк болот.
- Шире жасоо үчүн ар кандай жашылчаларды (сабиз, бадыраң, кызылча, селдерей, шпинат, помидор) же жемиштерди (алма, жүзүм, ананас) алса болот.
- Бөрүлөрдү шире жасоодон алдында гана жуушу керек, анткени алар бат бузулат.
- Жемиштердин же жашылчалардын жумушак кабыгын алгандын керектиги жок, катуу кабыкты (ананастын же кызылчанын кабыгындай) алуу гана зарыл.
- Алманын ширесин сыгууда алмалардын ортолорун алуунун керектиги жок.
- Алманын ширесин жасаганда соктун даамы алманын сортуна байланышканын эске тутуңуз.
- Силердин каалоңузга ылайык болгон ширеси сыгыла турган алманын түрлөрүн таңдап алыңыз.
- Ширени жасалгандан кийин дароо ичиңиз. Ачык абада сактаганда шире даамын жоготот.
- Алманын ширеси тез убакытта карарып калат, бирок анын ичине лимон ширесинин

бир нече тамчысын кошкондо бул караргандын процессин жай кылат.

- Шире муздаткычта сактала турган болсо, шире муздаткычтагы азыктардын жыттарын өзүнө тартып албас үчүн аны капкагы бар таза идишке куюп салыңыз. Металлдан жасалган идиште ширени сактоосу рекомендацияланбайт, анткени шире ылайыктуу даамын тартып алганы мүмкүн.
- Шире сыгуучу аспап банан, папайя, авокадо, инжир, өрүк, манго, кызыл же кара карагат катары крахмалы же пектини көп азыктарды иштетүүгө ылайыкташтырбаган. Андай азыктарды иштетүү үчүн башка ашкана аспаптарды колдонуңуз.
- Шире сыгуучу аспап кокос, ревень же айва катары өтө катуу азыктарды иштетүүгө ылайыкташтырбаган.

САКТОО ЭРЕЖЕЛЕРИ

- Шайманды узакка чейин сактоого койгондун алдында «ТАЗАЛОО ЖАНА КАРОО» бөлүмүндөгү талаптарын жасап алыңыз.
- Шайманды балдар жана жөндөмдүүлүгү төмөн болгон адамдар колу жетпеген жерлерде сактаңыз.

Бузулууларды табуу жана жоюу

Бузулуу	Жоюу методу
Шире сыгуучу аспапты биринчи жолу иштеткенде жагымсыз жыт чыгат.	Бул нормалдуу нерсе, анткени электр моторундагы көмүр щеткалар эскирип орношконуна убакыт керек.
Шире сыгуучу аспап иштебейт	<ol style="list-style-type: none"> 1. Аспапты туура кураштырылганын, фиксатору жабык абалында болгонун текшерип. 2. Электр розеткада ток бар болгонун текшерип, ал үчүн ар кайсы электр шайманын розеткага сайып көрүңүз.
Ширенин көлөмү кескин түрдө азайып калган	<ol style="list-style-type: none"> 1. Чыпка тору тосулуп калды <ul style="list-style-type: none"> – аспапты өчүрүп, сайгычты розеткадан суруңуз; – мотор токтогондон кийин сүргүч чыпканы текшерип; – сүргүч чыпкасын тазалап жууңуз.
Иштеген убагында шире сыгуучу аспап өтө катуу титирейт	<ol style="list-style-type: none"> 1. Сүргүч чыпкасынын бир жагына калдыктар топтолгону мүмкүн. <ul style="list-style-type: none"> – аспапты өчүрүп, сайгычты розеткадан суруңуз; – мотор токтогондон кийин сүргүч чыпканы текшерип; – сүргүч чыпкасын тазалап жууңуз. 2. Сүргүч чыпкасында бузулуулар пайда болгон. <ul style="list-style-type: none"> – сүргүч чыпкасын изилдеңиз, бузулуулар же жарыктар табылганда чыпканы алмаштырып салыңыз.
Шире сыгуучу аспап катуу дүрдүлөө менен иштейт, жагымсыз жыт, түтүн чыгып, аспап өтө ысыйт ж.б.	Аспапты токтоосуз өчүрүп, электр тармагынан ажыратып, текшерүү жана оңдоо үчүн тейлөө борборуна кайрылыңыз.

КЫРГЫЗ

ЖАБДЫКТЫН ЖЫЙЫНТЫГЫ

Мотор сапсалгысы – 1 даана.
Түрткүч – 1 даана.
Капкак – 1 даана.
Сүргүч чыпкасы – 1 даана.
Шири топтогуч – 1 даана.
Калдыктарын топтоочу контейнери – 1 даана.
Шири топтоочу идиш – 1 даана.
Колдонмо – 1 даана.

ТЕХНИКАЛЫК МҮНӨЗДӨМӨСҮ

Номиналдуу чыңалуусу: 220-240 В ~ 50 Гц
Максималдуу кубаттуулугу: 1000 Вт
Номиналдуу кубаттуулугу: 500 Вт

УТИЛИЗАЦИЯЛОО



Айлана чөйрөөнү коргоо максатында шайман менен азыктандыруучу элементтердин кызмат мөөнөтү бүткөндөн кийин аларды жөнөкөй турмуш-тирчилик калдыктары менен чогу ыргытпай, шайман менен азыктандыруучу элементтерин утилизациялоо үчүн атайын адистештирилген пункттарына тапшырыңыз. Шаймандарды утилизациялоодон пайда болгон калдыктарды милдеттүү түрдө чогултуп, андан соң белгиленген жолунда утилизациялоо зарыл.

Бул шайманды утилизациялоо жөнүндө кошумча маалымат алуу үчүн жергиликтүү өкмөткө, турмуш-тирчилик калдыктарды утилизациялоо кызматына же бул шайманды алган дүкөнгө кайрылыңыз.

Өңдүрүүчү шаймандардын жалпы иштөө принциптерине таасир этпеген дизайнер, конструкциясын жана техникалык мүнөздөмөлөрүн алдын ала эскертпей өзгөртүү укугун сактайт, ошол себептен колдонмо менен шаймандын маанилүү эмес айырмачылыктар болуу мүмкүн. Колдонуучу ушундай келишпегендиктерди тапса, ал жөнүндө info@vitek.ru электрондук почтасына жазып, шаймандын жаңырланган версиясын алса болот.

Кызмат мөөнөтү – 3 жыл

Кепилдик

Кепилдик берүү шарттары тууралуу толук маалыматтар буюмду саткан сатуучудан алууга болот. Кепилдик шарттарына ылайык талап кылып сатылган товарга чек же дүмүрчөктү көрсөтүү керек.



STORCĂTOR DE SUC VT-3653

Storcătorul electric este destinat pentru prepararea sucurilor din fructe sau legume.

DESCRIERE

1. Împingător
2. Gură de încărcare
3. Capac
4. Filtru-răzătoare
5. Colector de suc
6. Vârf de scurgere a sucului
7. Fixator
8. Bloc cu motor
9. Comutatorul regimurilor de lucru (P-0-1-2)
10. Container de colectare a boștinei
11. Rezervor de colectare a sucului

MĂSURI DE SIGURANȚĂ

Înainte de a începe exploatarea dispozitivului citiți cu atenție instrucțiunile de exploatare și păstrați-o pentru utilizare ulterioară în calitate de material de referință.

Utilizați dispozitivul doar conform destinației sale, cum este descris în prezenta instrucțiune. Manipularea necorespunzătoare poate duce la defectarea dispozitivului sau poate cauza daune utilizatorului sau bunurilor acestuia.

- **Pentru a evita traumatismul, nu scoateți capacul storcătorului de suc în timpul funcționării, precum și dacă fișa cablului de alimentare este introdusă în priză electrică.**
- **Timpul maxim admisibil de funcționare continuă al storcătorului de suc constituie nu mai mult de 3 minute cu o pauză ulterioară cel puțin de 2 minute.**
- Înainte de prima conectare, asigurați-vă că tensiunea din rețeaua electrică corespunde cu tensiunea de lucru a dispozitivului.
- Utilizați storcătorul de suc numai pe o suprafață uscată, plană și stabilă.
- Înainte de prima utilizare a storcătorului de suc spălați minuțios toate piesele detașabile care vor contacta cu alimentele prelucrate.
- Fiți atenți când țineți în mână filtrul-răzătoare, suprafața răzătorii cu disc este foarte ascuțită.
- Verificați starea filtrului-răzătoare înainte de fiecare utilizare a storcătorului de suc. Dacă ați observat careva deteriorări mecanice, opriți utilizarea dispozitivului și înlocuiți imediat filtrul-răzătoare.
- Utilizați doar piesele detașabile care fac parte din setul de livrare.

- Nu utilizați dispozitivul în afara încăperilor.
- Nu amplasați dispozitivul și cablul de alimentare în apropierea suprafețelor fierbinți, surselor de căldură sau marginilor ascuțite ale mobilierului.
- Înainte de a începe utilizarea dispozitivului, asigurați-vă că toate piesele sunt instalate corect.
- Utilizarea storcătorului de suc este posibilă numai în cazul dacă capacul storcătorului de suc este fixat cu ajutorul fixatorului.
- În timpul funcționării, este interzisă împingerea alimentelor în gura de încărcare cu degetele sau alte obiecte.
- Utilizați în acest scop numai împingătorul.
- Nu înclinați fața deasupra gurii deschise a dispozitivului pornit, bucăți de legume/fructe pot zbura din gură și pot provoca vătămări utilizatorului.
- Se interzice utilizarea storcătorului de suc fără containerul de colectare a boștinei.
- Storcătorului de suc nu este destinat pentru tocarea sau amestecarea alimentelor.
- Se interzice dezasambarea storcătorului de suc dacă fișa cablului de alimentare este conectată la priză electrică.
- Nu atingeți fișa cablului de alimentare cu mâinile ude.
- Deschideți fixatorul numai după deconectarea dispozitivului și oprirea completă a rotației filtrului-răzătoare.
- La apariția picăturilor de umiditate sau suc pe corpul storcătorului de suc, opriți dispozitivul, deconectați-l de la rețeaua electrică și ștergeți corpul cu o cârpă uscată.
- După terminarea lucrului opriți dispozitivul și extrageți fișa cablului de alimentare din priză electrică.
- Nu permiteți copiilor să atingă dispozitivul și cablul de alimentare în timpul funcționării dispozitivului.
- Nu permiteți copiilor să folosească dispozitivul în calitate de jucărie.
- Acest dispozitiv nu este destinat pentru a fi utilizat de către copii.
- În timpul funcționării și în timpul pauzelor între ciclurile de lucru plasați dispozitivul în locuri inaccesibile pentru copii.
- Acest dispozitiv nu este destinat pentru a fi utilizat de către persoane (inclusiv copii) cu abilități fizice, psihice sau mentale reduse sau dacă nu au experiență sau cunoștințe, dacă aceștia nu sunt sub control sau instruiți

ROMÂNĂ

cu privire la utilizarea dispozitivului de către persoana responsabilă de siguranța acestora.

- Din motive de siguranță a copiilor, nu lăsați pungile de polietilenă folosite ca ambalaj fără supraveghere.

Atenție! Nu permiteți copiilor să se joace cu pungile de polietilenă sau pelicula de ambalare.

Pericol de sufocare!

- Verificați periodic starea cablului de alimentare și a fișei cablului de alimentare.
- Nu utilizați storcătorul de suc în cazul deteriorării filtrului-răzătoare, cablului de alimentare sau fișei cablului de alimentare, dacă dispozitivul funcționează cu întreruperi, precum și după căderea dispozitivului.
- Nu reparați dispozitivul de sine stătător. Nu dezasamblați dispozitivul de sine stătător, în caz de defecțiune, precum și după căderea dispozitivului, deconectați dispozitivul de la priza electrică și adresați-vă la orice centru autorizat (împuternicit) de service la adresele de contact specificate în certificatul de garanție și pe site-ul www.vitek.ru.
- Transportați dispozitivul doar în ambalajul original.
- Păstrați dispozitivul la un loc inaccesibil pentru copii și persoane cu dizabilități.

DISPOZITIVUL ESTE DESTINAT DOAR PENTRU UZ ÎN CONDIȚII CASNICE ÎN ÎNCĂPERI DE LOCUIT, ESTE INTERZISĂ UTILIZAREA COMERCIALĂ ȘI UTILIZAREA DISPOZITIVULUI ÎN ZONELE DE PRODUCȚIE ȘI ÎNCĂPERILE DE LUCRU.

ÎNAINTE DE PRIMA UTILIZARE

După transportarea sau depozitarea dispozitivului la o temperatură scăzută este necesar să-l mențineți la temperatura camerei timp de cel puțin 3 ore.

- Scoateți storcătorul de suc din ambalaj.

Efectuați dezasamblarea și curățarea storcătorului de suc înainte de a-l utiliza:

- Scoateți împingătorul (1) din gura de încărcare (2) a capacului (3).
- Coborâți fixatorul (7) și scoateți capacul (3).
- Pentru a facilita scoaterea filtrului-răzătoare (4), scoateți filtrul-răzătoare (4) împreună cu colectorul de suc (5), ținând de colectorul de suc (5) și ridicându-l în sus.
- Spălați minuțios toate piesele detașabile (1, 3, 4, 5, 11) care vor contacta cu alimentele și uscați-le.

Remarcă: Fiți atenți când țineți în mână filtrul-răzătoare (4), suprafața răzătorii cu disc este foarte ascuțită.

PREPARAREA SUCULUI

Înainte de prima conectare, asigurați-vă că tensiunea de lucru a dispozitivului corespunde cu tensiunea din rețeaua electrică.

Fruitele și legumele destinate prelucrării trebuie să fie proaspete.

Înainte de stoarcerea sucului spălați legumele/fructele, îndepărtați părțile necomestibile din legume sau fructe, cum ar fi tulpini, coajă dură sau sâmburi, de exemplu, de vișină sau piersici, tăiați-le în bucăți care ar putea trece ușor în gura de încărcare (2).

- Instalați blocul cu motor (8) pe o suprafață plană, uscată și stabilă.
- Înainte de asamblarea storcătorului de suc, asigurați-vă că comutatorul regimurilor de lucru este instalat în poziția „0”, iar fișa cablului de alimentare nu este conectată la priza electrică.
- Instalați colectorul de suc (5) pe blocul cu motor (8).
- Instalați filtrul-răzătoare (4) în colectorul de suc (5).

ATENȚIE!

Se interzice utilizarea storcătorului de suc la depistarea deteriorărilor mecanice pe filtrul-răzătoare (4).

- Instalați din partea din spate a storcătorului de suc containerul pentru colectarea boștinei (10).
- Instalați capacul (3) pe colectorul de suc (5) și fixați-l cu ajutorul fixatorului (7).
- Dacă vârful de scurgere a sucului (6) este instalat orizontal, atunci apăsați pe el în direcție de sus în jos.
- Instalați sub vârful de scurgere a sucului (6) rezervorul pentru colectarea sucului (11).
- Introduceți fișa cablului de alimentare în priza electrică.
- Porniți storcătorul de suc, instalând comutatorul (9) în poziția „1” (viteză mică), poziția „2” (viteză mare) sau poziția „P” (regim de lucru cu impulsuri).

Remarci:

Viteza mică „1” servește pentru stoarcerea sucului din legume/fructe moi - precum ar fi roșii, pere coapte, căpșune, portocale, prune, struguri, dovleac, ceapă, castraveți etc.

Viteza mare „2” servește pentru stoarcerea sucului din legume/fructe tari, precum ar fi anghinare, morcovi, mere, ardei, sfeclă, cartofi, ananas, dovlecei, țelină, spanac, mărar, praz etc. Regimul de lucru cu impulsuri „P” servește pentru pornire de scurtă durată a storcătorului de suc.

ATENȚIE!

La utilizarea alimentelor vâscoase sau suficient de dure pentru a evita oprirea rotației filtrului-răzătoare (4) se recomandă utilizarea regimului de funcționare a storcătorului de suc la o viteză mare „2”.

- Storcătorul de suc se va porni numai în cazul dacă toate piesele detașabile sunt instalate corect, iar capacul (3) este fixat cu fixatorul (7).
- Încărcați alimentele în gura de încărcare (2) a capacului (3) doar în timpul rotației filtrului-răzătoare (4).
- Plasați treptat legumele sau fructele tăiate în prealabil în gura de încărcare (2) a capacului (3) și presați-le ușor cu împingătorul (1).
- Nu apăsați excesiv împingătorul (1), deoarece aceasta poate provoca reducerea cantității de suc stors, ba chiar și oprirea rotației filtrului-răzătoare (4). Cu cât mai lent are loc prelucrarea legumelor sau fructelor, cu atât extracția sucului este mai mare.
- Se interzice introducerea degetelor sau a oricăror obiecte în gura de încărcare (2) a capacului (3).
- În timpul funcționării verificați periodic starea filtrului- răzătoare (4) dacă grila acestuia nu s-a înfundat cu pulpă, după necesitate spălați filtrul-răzătoare (4), înainte de a scoate filtrul-răzătoare, deconectați storcătorul de suc și extrageți fișa cablului de alimentare din priza electrică.
- Urmăriți umplerea containerului de colectare a boștinei (10), dacă containerul (10) s-a umplut, opriți storcătorul de suc, extrageți fișa cablului de alimentare din priza electrică și înlăturați boștina.

Remarcă: - în intervalele din timpul lucrului sau după umplerea colectorului de suc (11), ridicăți puțin vârful de scurgere a sucului (6), în poziție orizontală a vârfului (6), sucul nu va picura pe masă.

ATENȚIE!

Tempul maxim admisibil de funcționare continuă al storcătorului de suc constituie

nu mai mult de 3 minute cu o pauză ulterioară cel puțin de 2 minute.

După prelucrarea a 500 g de alimente dure și cu un conținut înalt de fibre (citrice, ananas, mere, morcovi, etc.) efectuați dezasmblarea și curățarea dispozitivului.

Nerespectarea acestei cerințe poate provoca blocarea grilei-răzătorii și va complica curățarea dispozitivului.

- După utilizarea storcătorului de suc opriți-l, instalând comutatorul (9) în poziția „0” și extrageți fișa cablului de alimentare din priza electrică.

CURĂȚARE ȘI ÎNTREȚINERE

După terminarea lucrului sau înainte de curățare opriți obligatoriu dispozitivul și deconectați-l de la rețeaua electrică.

Efectuați dezasmblarea și curățarea storcătorului de suc după fiecare utilizare a acestuia, urmând recomandările descrise mai jos.

- Scoateți împingătorul (1) din gura de încărcare (2) a capacului (3).
- Coborâți fixatorul (7) și scoateți capacul (3).
- Pentru a facilita scoaterea filtrului-răzătoare (4) scoateți-l împreună cu colectorul de suc (5), ținând de colectorul de suc (5) și ridicându-l în sus.
- Se recomandă spălarea tuturor pieselor detașabile cu apă caldă și cu un detergent neutru imediat după lucru.
- Este mai comod de a spăla orificiile filtrului-răzătoare (4) pe partea exterioară, folosind o perie potrivită.
- Fiți atenți la spălarea filtrul-răzătoare (4), suprafața răzătorii cu disc este foarte ascuțită.
- Nu utilizați mașina de spălat vase pentru spălarea filtrului-răzătoare (4) și a altor piese detașabile.
- Ștergeți blocul cu motor (8) cu o cârpă ușor umezită, apoi ștergeți-l până la uscat. Se interzice scufundarea blocului cu motor (8) în apă sau oricare alte lichide; se interzice spălarea blocului cu motor (8) sub un jet de apă.
- Nu utilizați pentru curățarea storcătorului de suc bureți duri, detergenți abrazivi, precum și solvenți.
- Unele alimente, cum ar fi morcovul, sfecla, pot colora piesele detașabile ale storcătorului de suc, pentru înlăturarea urmelor de colorant, folosiți o cârpă uscată înmuiată în ulei vegetal, după curățarea pieselor spălați-le cu apă caldă cu un detergent moale și uscați-le.

SFATURI UTILE

- Folosiți doar legume și fructe proaspete, deoarece ele conțin o cantitate mai mare de suc.
- Pentru prepararea sucului pot fi folosite diverse legume (morcovi, castraveți, sfeclă, tulpini de țelină, spanac, roșii) sau fructe (mere, struguri, ananas).
- Se recomandă spălarea pomușoarelor nemijlocit înaintea stoarcerii sucului, deoarece acestea își pierd repede prospețimea.
- Nu este necesar să curățați de coajă fructele sau legumele, este necesar de curățat doar alimentele cu coaja groasă, de exemplu ananasul sau sfecla.
- La stoarcerea sucului de mere nu este necesar să scoateți miezul din mere.
- La prepararea sucului de mere țineți minte că intensitatea gustului sucului depinde de soiul de mere.
- Selectați soiul de mere din care veți obține sucul care va corespunde cerințelor Dvs.
- Serviți sucul imediat după prepararea lui. Aflându-se timp îndelungat în contact cu aerul, sucul pierde din calitatea gustului și valoarea sa nutritivă.
- Sucul de mere se întunecă repede, iar adăugarea în el a câtorva picături de suc de

lămâie stopează procesul de întunecare a culorii sucului.

- Dacă intenționați să păstrați sucul în frigider, atunci turnați-l într-un vas curat cu capac, ca sucul să nu absoarbă mirosurile alimentelor păstrate în frigider. Nu se recomandă păstrarea sucului într-un vas metalic, deoarece sucul poate dobândi un gust corespunzător.
- Storcătorul de suc nu este destinat pentru prelucrarea fructelor cu conținut înalt de amidon sau pectină, precum ar fi bananele, papaya, avocado, smochinele, caisele, coacăza roșie și neagră. Pentru prelucrarea acestor fructe folosiți alte dispozitive de bucătărie.
- Storcătorul de suc nu este destinat pentru prelucrarea alimentelor foarte dure și cu un conținut înalt de fibre, precum ar fi cocosul, reventul sau gutuia.

PĂSTRARE

- Înainte de depozitarea storcătorului de suc, îndepliniți cerințele din compartimentul „CURĂȚARE ȘI ÎNTREȚINERE”.
- Păstrați dispozitivul la un loc uscat, răcoros, inaccesibil pentru copii și persoane cu dizabilități.

Depistarea și înlăturarea defecțiunilor

Defecțiunea	Modalitatea de rezolvare
La prima pornire a storcătorului de suc apare un miros neplăcut.	Acesta este un fenomen normal, deoarece este nevoie de un anumit timp până când periile de carbon în motorul electric se potrivește.
Storcătorul de suc nu lucrează	<ol style="list-style-type: none"> 1. Verificați corectitudinea asamblării storcătorului de suc, asigurați-vă că fixatorul se află în poziție închisă. 2. Verificați prezența tensiunii în priza electrică, pentru aceasta conectați oricare dispozitiv electric potrivit la priza electrică.
Cantitatea sucului stors a scăzut brusc	<ol style="list-style-type: none"> 1. Grila de filtrare s-a înfundat <ul style="list-style-type: none"> – opriți storcătorul de suc, extrageți fișa cablului de alimentare din priză. – când motorul electric se va opri, verificați filtrul-răzătoare. – curățați și spălați filtrul-răzătoare.
În timpul funcționării storcătorul de suc vibrează puternic.	<ol style="list-style-type: none"> 1. Probabil pe una din părțile filtrului- răzătoare s-a lipit boștina. <ul style="list-style-type: none"> – opriți storcătorul de suc, extrageți fișa cablului de alimentare din priză. – când motorul electric se va opri, verificați filtrul-răzătoare. – curățați și spălați filtrul-răzătoare. 2. Deteriorarea filtrului-răzătoare. <ul style="list-style-type: none"> – examinați filtrul-răzătoare, la depistarea deteriorărilor sau fisurilor, înlocuiți filtrul-răzătoare.

Defecțiunea	Modalitatea de rezolvare
Funcționarea storcătorului de suc este însoțită de un zgomot puternic, se simte un miros neplăcut, el se supraîncălzește, apare fum, etc.	Încetați imediat utilizarea storcătorului de suc, deconectați-l de la rețea și apelați un centru autorizat de service pentru examinare sau reparație.

COMPLETARE

Bloc cu motor – 1 buc.
 Împingător – 1 buc.
 Capac – 1 buc.
 Filtru-răzătoare – 1 buc.
 Colector de suc – 1 buc.
 Container de colectare a boștinei – 1 buc.
 Rezervor de colectare a sucului – 1 buc.
 Instrucțiune – 1 buc.

CARACTERISTICI TEHNICE

Tensiune nominală: 220-240 V ~ 50 Hz
 Putere maximă: 1000 W
 Puterea nominală: 500 W

RECICLAREA



În scopul protejării mediului înconjurător, după finalizarea termenului de exploatare a dispozitivului și a elementelor de alimentare, nu le aruncați împreună cu deșeurile menajere obișnuite, livrați dispozitivul și elementele de alimentare în punctele specializate pentru reciclare ulterioară. Deșeurile formate în timpul reciclării produselor sunt supuse colectării obligatorii cu reciclarea ulterioară în modul stabilit.

Pentru mai multe informații privind reciclarea acestui produs, contactați primăria locală, serviciul de reciclare a deșeurilor menajere sau magazinul de unde ați achiziționat acest produs.

Producătorul își rezervă dreptul de a schimba designul, construcția și specificațiile care nu afectează principiile generale de funcționare ale aparatului, fără o notificare prealabilă, care poate determina diferențe minore între instrucțiuni și produs. Dacă utilizatorul a depistat astfel de neconformități, vă rugăm să ne informați prin e-mail info@vitek.ru pentru a obține o versiune actualizată a instrucțiunii.

Termenul de funcționare a dispozitivului este de 3 ani.

Garanție

În legătură cu oferirea garanției pentru produsul dat, rugăm să Vă adresați la distribuitorul regional sau la compania, unde a fost procurat produsul dat. Serviciul de garanție se realizează cu condiția prezentării bonului de plată sau a oricărui alt document financiar, care confirmă cumpărarea produsului dat.

GB

A production date of the item is indicated in the serial number on the technical data plate. A serial number is an eleven-unit number, with the first four figures indicating the production date. For example, serial number 0606xxxxxx means that the item was manufactured in June (the sixth month) 2006.

RUS

Дата производства изделия указана в серийном номере на табличке с техническими данными. Серийный номер представляет собой одиннадцатизначное число, первые четыре цифры которого обозначают дату производства. Например, серийный номер 0606xxxxxx означает, что изделие было произведено в июне (шестой месяц) 2006 года.

KZ

Бұйымның шығарылған мерзімі техникалық деректері бар кестедегі сериялық нөмірде көрсетілген. Сериялық нөмір он бір саннан тұрады, оның бірінші төрт саны шығару мерзімін білдіреді. Мысалы, сериялық нөмір 0606xxxxxx болса, бұл бұйым 2006 жылдың маусым айында (алтыншы ай) жасалғанын білдіреді.

UA

Дата виробництва виробу вказана в серійному номері на табличці з технічними даними. Серійний номер представляє собою одинадцятизначне число, перші чотири цифри якого означають дату виробництва. Наприклад, серійний номер 0606xxxxxx означає, що виріб був виготовлений в червні (шостий місяць) 2006 року.

KG

Буюм иштеп чыгарылган датасы сериялык номурунда техникалык маалыматтар жадыбалында көрсөтүлгөн. Сериялык номуру он бир орундуу сан болот, анын биринчи төрт саны өндүрүш датасын көрсөтөт. Мисалы, сериялык номуру 0606xxxxxx болгон буюм 2006 жылдын июнунда (алтынчы айында) өндүрүлгөн.

RO

Data fabricării este indicată în numărul de serie pe tabelul cu datele tehnice. Numărul de serie reprezintă un număr din unsprezece cifre, primele patru cifre indicând data fabricării. De exemplu, dacă numărul de serie este 0606xxxxxx, înseamnă că produsul dat a fost fabricat în iunie (luna a asea) 2006.



ЗАПРЕЩЕНО УТИЛИЗИРОВАТЬ
С БЫТОВЫМ МУСОРОМ.
ОБРАТИТЕСЬ НА СООТВЕТСТВУЮЩИЙ
ПУНКТ ПЕРЕРАБОТКИ ЭЛЕКТРИЧЕСКОГО
И ЭЛЕКТРОННОГО ОБОРУДОВАНИЯ.